

LOTTUS NOTE

enea

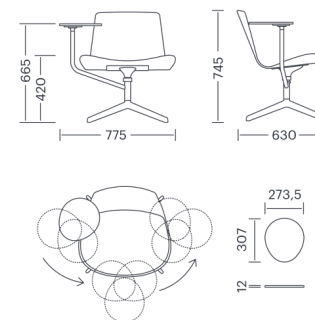
BY Lievore Altherr Molina



Structures

- Round tube $\varnothing 25 \times 2$ mm. in cold laminate steel.
- Supports in injected aluminium L-2630 UNE 38-263.
- Semi-automatically welding in arc robot with gas control and steel strip. φ
- Base with 4 polished aluminium or lacquered supports, with non-slip tips.

Measures



Accessories

- Felt leg pads

This version of our relaxing and welcoming Lottus line adds a highly versatile writing table to this lower and more casual seating option. Using a swivel star base, it is ideal for hospitality spaces as well as office use, where the main objective is well-being and usability.

[Click here to see all the finishes of Lottus Note](#)