

EINA CHAIR

enea

BY Lluscà Design



The Eina chair, with its balanced and slightly curved form, is a timeless design indifferent to fashion and trends. The chairs can be connected via a linking system attached to the arms or using the front legs in the case of armless chairs. All Eina chairs can be used with a writing tablet, making them useful for classrooms, conference facilities or auditoriums.

[Click here to see all the finishes of Eina Chair](#)

Structures

- Oval tube $\varnothing 30 \times 20 \times 2$ mm in cold laminate steel.
- Arms and back support in injected aluminium.
- Semi-automatically welding in arc robot with gas control and steel strip.

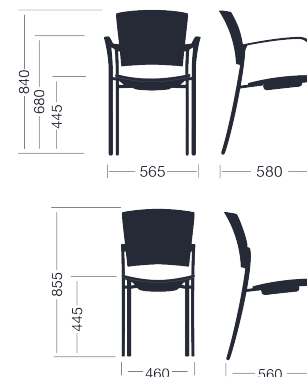
Certificates

UNE 11010/11011/11016:1989 ensayo 5 (actual 3)
Strict public assessment.
UNE-EN 1729:1/2 2007.
ANSI BIFMA X 5.1

Finishes

- Structure lacquered or chromed (with arms in polished aluminium).
- Seat in polypropylene or upholstery.
- Back in polypropylene or upholstery.

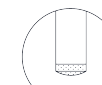
Measures



Accessories



Arm link



Felt leg pads



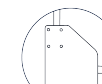
Leg linking device



Stackable chair



Transport trolley 6 units



Writing tablet left/right