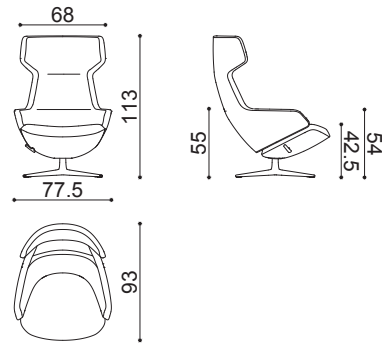


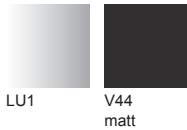
Design by Jean-Marie Massaud, 2020

Art. 2400

Lounge chair on a four-legged base in shiny or painted aluminium, featuring a height adjustment mechanism and a weight-triggered mechanism for reclining the backrest, with three set positions. The polyurethane shell is covered with fabric, leather, faux leather or a covering of the client's choice.



Frame Base



Shell

Carded In



Graded In

kvadrat

camira



DESIGN
TEX



Gabriel




svensson

maharam

Serge Ferrari

Design by Jean-Marie Massaud, 2020

Art.2400

1 pz = 1  - kg 35/ m³ 1,18

arper

info@arper.com

www.arper.com