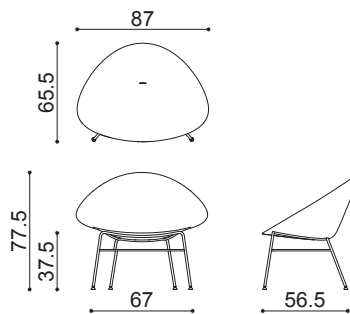


Design by Lievore + Altherr Désile Park, 2020

Art. 6800

Lounge chair on a four-legged base in painted steel. Polypropylene shell with distinctive texture made with 80% recycled materials, available in four colours.



Frame Base



V44
matt

V53
matt

V64
matt

Shell



PD00001

PD00002

PD00003

PD00004

arper

info@arper.com

www.arper.com

Design by Lievore + Altherr Désile Park, 2020

Accessories:



Art. 6809 CUSHION -
INDOOR



Art. 6810 CUSHION -
OUTDOOR





Art. 6811 FRONT
REMOVABLE CUSHION -
INDOOR



Art. 6812 FRONT
REMOVABLE CUSHION -
OUTDOOR

Art.6800

1 pz = 2  - kg 14/ m³ 0,478

4 pz = 2  - kg 37,6/ m³ 0,705

arper

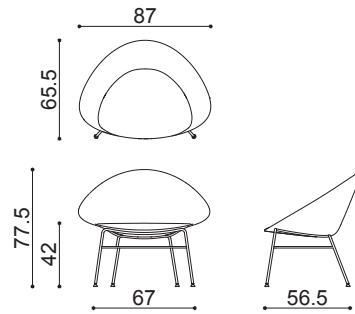
info@arper.com

www.arper.com

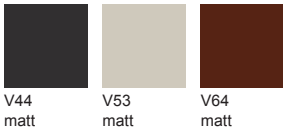
Design by Lievore + Altherr Désile Park, 2020

Art. 6801

Lounge chair on a four-legged base in painted steel. Polypropylene shell with distinctive texture made with 80% recycled materials, available in four colours, featuring a cushion attached to the seat covered with fabric, leather, faux leather or a covering of the client's choice.



Frame Base

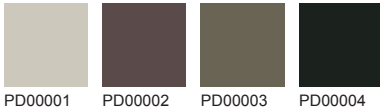


V44
matt

V53
matt

V64
matt

Shell



PD00001

PD00002

PD00003

PD00004


arper


info@arper.com

www.arper.com

Design by Lievore + Altherr Désile Park, 2020

Art.6801

1 pz = 2  - kg 15,8/ m³ 0,478

4 pz = 2  - kg 44,8/ m³ 0,705

arper

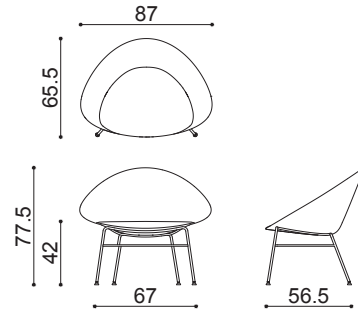
www.arper.com

info@arper.com

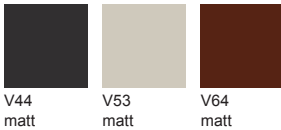
Design by Lievore + Altherr Désile Park, 2020

Art. 6802

Lounge chair on a four-legged base in painted steel. Polypropylene shell with distinctive texture made with 80% recycled materials, entirely covered with fabric, leather, faux leather or a covering of the client's choice.



Frame Base



arper

Shell

Carded In



Graded In

kvadrat

camira



DESIGN
TEX



Gabriel



svensson

maharam


Serge Ferrari


info@arper.com

www.arper.com

Design by Lievore + Altherr Désile Park, 2020

Art.6802

1 pz = 2  - kg 16,7/ m³ 0,478

4 pz = 2  - kg 48,4/ m³ 0,705

arper

www.arper.com

info@arper.com