

QUARTZ MESA Ø69cm

By Ramon Esteve



The Quartz collection is characterized by its orthogonal geometry and triangular shaped profiles. Due to the line of one of its vertexes this piece appears extremely light. Inspired by the Quartz Stone and its properties such as its hardness and strength, in addition to the distinctive finish of its shapes. Our chairs have clean cut lines and geometric lightness that blend totally in any environment. Primarily, the Quartz collection stands out for its quest for neutrality and its timeless design.

View online: <https://www.vondom.com/products/54199>

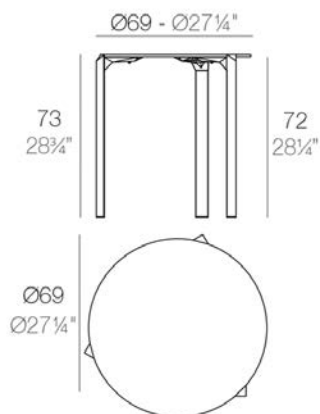
Features

Description

Made of gas air moulding injected polyamide with fiber glass for legs and HPL table tops. Stackable. Available in 3 colors. Item suitable for indoor and outdoor use.

Weight

4.15 Kg






QUARTZ Mesa Ø69
QUARTZ Table Ø27 1/4"

Finishes

BASIC PP

Ref. 54199

Available in this colors

COLOR	BASIC INJECCION PP
WHITE	
BLACK	
ECRU	

QUARTZ MESA Ø79cm

By Ramon Esteve



The Quartz collection is characterized by its orthogonal geometry and triangular shaped profiles. Due to the line of one of its vertexes this piece appears extremely light. Inspired by the Quartz Stone and its properties such as its hardness and strength, in addition to the distinctive finish of its shapes. Our chairs have clean cut lines and geometric lightness that blend totally in any environment. Primarily, the Quartz collection stands out for its quest for neutrality and its timeless design.

View online: <https://www.vondom.com/products/54200>

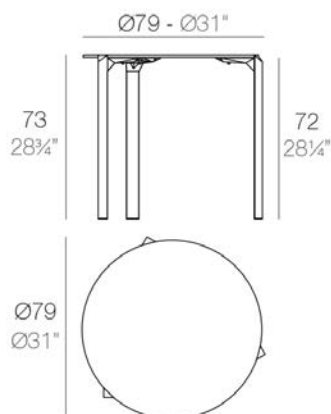
Features

Description

Made of gas air moulding injected polyamide with fiber glass for legs and HPL table tops. Stackable. Available in 3 colors. Item suitable for indoor and outdoor use.

Weight

5 Kg






QUARTZ Mesa Ø79
QUARTZ Table Ø31"

Finishes

BASIC PP

Ref. 54200

Available in this colors

COLOR	BASIC INJECCION PP
WHITE	
BLACK	
ECRU	

QUARTZ MESA Ø90cm

By Ramon Esteve



The Quartz collection is characterized by its orthogonal geometry and triangular shaped profiles. Due to the line of one of its vertexes this piece appears extremely light. Inspired by the Quartz Stone and its properties such as its hardness and strength, in addition to the distinctive finish of its shapes. Our chairs have clean cut lines and geometric lightness that blend totally in any environment. Primarily, the Quartz collection stands out for its quest for neutrality and its timeless design.

View online: <https://www.vondom.com/products/54201>

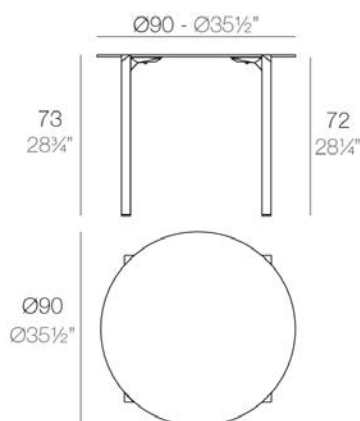
Features

Description

Made of gas air moulding injected polyamide with fiber glass for legs and HPL table tops. Stackable. Available in 3 colors. Item suitable for indoor and outdoor use.

Weight

6.4 Kg






QUARTZ Mesa Ø90
QUARTZ Table Ø35½"

Finishes

BASIC PP

Ref. 54201

Available in this colors

COLOR	BASIC INJECCION PP
WHITE	
BLACK	
ECRU	

QUARTZ MESA Ø100cm

By Ramon Esteve



The Quartz collection is characterized by its orthogonal geometry and triangular shaped profiles. Due to the line of one of its vertexes this piece appears extremely light. Inspired by the Quartz Stone and it's properties such as it's hardness and strength, in addition to the distinctive finish of it's shapes. Our chairs have clean cut lines and geometric lightness that blend totally in any environment. Primarily, the Quartz collection stands out for its quest for neutrality and its timeless design.

View online: <https://www.vondom.com/products/54202>

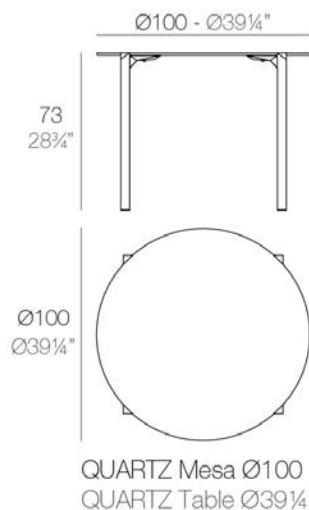
Features

Description

Made of gas air moulding injected polyamide with fiber glass for legs and HPL table tops. Stackable. Available in 3 colors. Item suitable for indoor and outdoor use.

Weight

7.55 Kg






Finishes

BASIC PP

Ref. 54202B

Available in this colors

COLOR	BASIC INJECCION PP
WHITE	
BLACK	
ECRU	

QUARTZ MESA 59x59cm

By Ramon Esteve



The Quartz collection is characterized by its orthogonal geometry and triangular shaped profiles. Due to the line of one of its vertexes this piece appears extremely light. Inspired by the Quartz Stone and its properties such as its hardness and strength, in addition to the distinctive finish of its shapes. Our chairs have clean cut lines and geometric lightness that blend totally in any environment. Primarily, the Quartz collection stands out for its quest for neutrality and its timeless design.

View online: <https://www.vondom.com/products/54203>

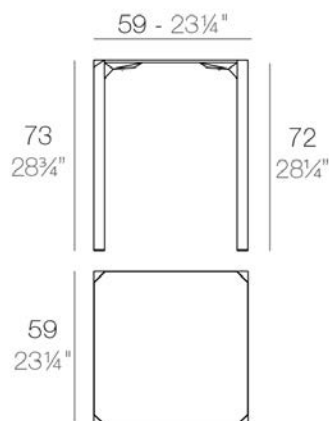
Features

Description

Made of gas air moulding injected polyamide with fiber glass for legs and HPL table tops. Stackable. Available in 3 colors. Item suitable for indoor and outdoor use.

Weight

4.5 Kg






QUARTZ Mesa 59 x 59
QUARTZ Table 23 $\frac{1}{4}$ " x 23 $\frac{1}{4}$ "

Finishes

BASIC PP

Ref. 54203

Available in this colors

COLOR	BASIC INJECCION PP
WHITE	
BLACK	
ECRU	

QUARTZ MESA 69x69cm

By Ramon Esteve



The Quartz collection is characterized by its orthogonal geometry and triangular shaped profiles. Due to the line of one of its vertices this piece appears extremely light. Inspired by the Quartz Stone and its properties such as its hardness and strength, in addition to the distinctive finish of its shapes. Our chairs have clean cut lines and geometric lightness that blend totally in any environment. Primarily, the Quartz collection stands out for its quest for neutrality and its timeless design.

View online: <https://www.vondom.com/products/54204>

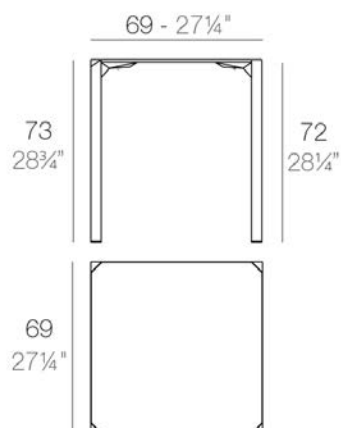
Features

Description

Made of gas air moulding injected polyamide with fiber glass for legs and HPL table tops. Stackable. Available in 3 colors. Item suitable for indoor and outdoor use.

Weight

5.35 Kg






QUARTZ Mesa 69 x 69
QUARTZ Table 27 1/4" x 27 1/4"

Finishes

BASIC PP

Ref. 54204

Available in this colors

COLOR	BASIC INJECCION PP
WHITE	
BLACK	
ECRU	

QUARTZ MESA 79x79cm

By Ramon Esteve



The Quartz collection is characterized by its orthogonal geometry and triangular shaped profiles. Due to the line of one of its vertexes this piece appears extremely light. Inspired by the Quartz Stone and its properties such as its hardness and strength, in addition to the distinctive finish of its shapes. Our chairs have clean cut lines and geometric lightness that blend totally in any environment. Primarily, the Quartz collection stands out for its quest for neutrality and its timeless design.

View online: <https://www.vondom.com/products/54205>

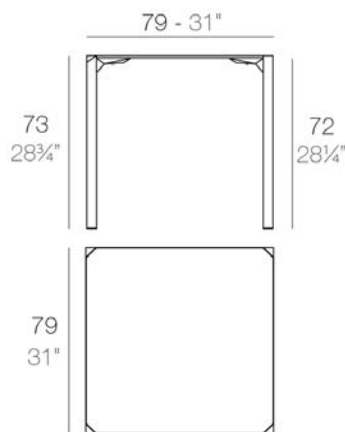
Features

Description

Made of gas air moulding injected polyamide with fiber glass for legs and HPL table tops. Stackable. Available in 3 colors. Item suitable for indoor and outdoor use.

Weight

6.4 Kg






QUARTZ Mesa 79 x 79
QUARTZ Table 31" x 31"

Finishes

BASIC PP

Ref. 54205

Available in this colors

COLOR	BASIC INJECCION PP
WHITE	
BLACK	
ECRU	

QUARTZ MESA 120x70cm

By Ramon Esteve



The Quartz collection is characterized by its orthogonal geometry and triangular shaped profiles. Due to the line of one of its vertexes this piece appears extremely light. Inspired by the Quartz Stone and its properties such as its hardness and strength, in addition to the distinctive finish of its shapes. Our chairs have clean cut lines and geometric lightness that blend totally in any environment. Primarily, the Quartz collection stands out for its quest for neutrality and its timeless design.

View online: <https://www.vondom.com/products/54206>

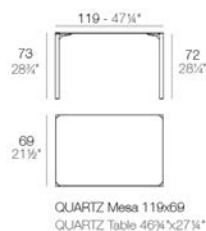
Features

Description

Made of gas air moulding injected polyamide with fiber glass for legs and HPL table tops. Stackable. Available in 3 colors. Item suitable for indoor and outdoor use.

Weight

7.8 Kg






Finishes

BASIC PP

Ref. 54206

Available in this colors

COLOR	BASIC INJECCION PP
WHITE	
BLACK	
ECRU	

QUARTZ MESA Ø59cm

By Ramon Esteve



The Quartz collection is characterized by its orthogonal geometry and triangular shaped profiles. Due to the line of one of its vertexes this piece appears extremely light. Inspired by the Quartz Stone and its properties such as its hardness and strength, in addition to the distinctive finish of its shapes. Our chairs have clean cut lines and geometric lightness that blend totally in any environment. Primarily, the Quartz collection stands out for its quest for neutrality and its timeless design.

View online: <https://www.vondom.com/products/54198>

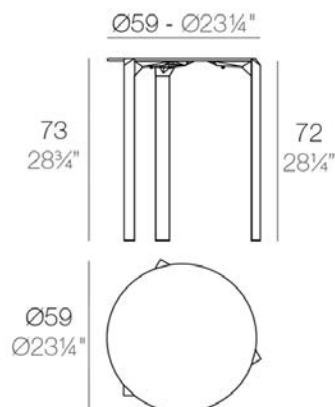
Features

Description

Made of gas air moulding injected polyamide with fiber glass for legs and HPL table tops. Stackable. Available in 3 colors. Item suitable for indoor and outdoor use.

Weight

3.5 Kg





QUARTZ Mesa Ø59
QUARTZ Table Ø23 1/4"

Finishes

BASIC PP

Ref. 54198B

Available in this colors

COLOR	BASIC INJECCION PP
WHITE	
BLACK	
ECRU	