

Mare

René Holten

Collection



Artifort®

INSPIRATIONAL DESIGN SINCE 1890



Mare loose cushion | René Holten

The Mare sofa was designed for Artifort in 2003 by René Holten. The design is restrained with clean lines and subtle details. Typical of this design is the slit in the centre of the seat and the slender base, which runs from back to front. This gives the sofa an elegant look. Mare is extremely comfortable and fits in both modern and classic interiors.

Dimensions and elements

To create the ideal design for every interior, the Mare family was expanded to include several new elements. The basic Mare design consists of a 2, 2.2, 2.5, or 3-seater sofa.

Whether you prefer small or large, austere or playful, the Mare lets you create your own personalized design. The individual elements make it possible to create surprising combinations. Opt for fabric or leather, narrow or broad armrests. Tailor the sofa to your needs by choosing from two heights: 43 cm or 45 cm. Design your own corner sofa or comfortable set by adding a matching love seat, foot stool, or side table. Dress it up with matching cushions by Artifort. Discover the many possibilities and design the Mare sofa that suits your interior and personal style.

Environmentally friendly

All Artifort furniture is produced in an environmentally friendly way and entirely in-house. We developed an environmentally conscious power coating method for the Mare base, which is more sustainable than traditional steel chroming and gives the sofa a modern look. During the powder coating process, a colour-fast coating is applied to the base. Artifort has an impressive collection of powder coating colours and structures. Choose one that matches your fabric or opt for a contrasting colour for a playful look.

New life

Artifort uses innovative production techniques and materials to guarantee the highest quality. Reupholstering is therefore well worth the investment and will help you breathe new life into your Artifort furniture. A reupholstered Mare sofa looks brand new and maintains its Artifort authenticity. As proof of this, you will receive a certificate after it has been reupholstered.

The most common compositions can be found in this magazine. If you would like a different composition, please inquire about the possibilities at one of our Artifort partners.

Mare

fixed cushion

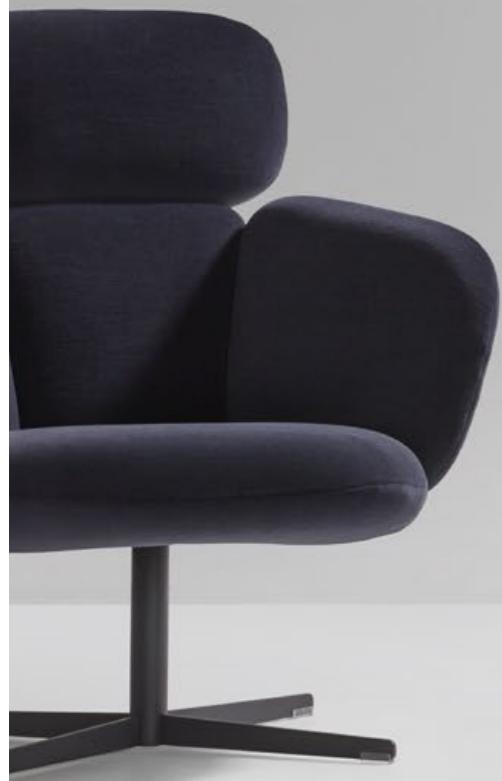
Classic, clean lines and subtle details.



Mare fixed cushion | René Holten



Palladio | Claesson Koivisto Rune



Bras Highback | Khodi Feiz

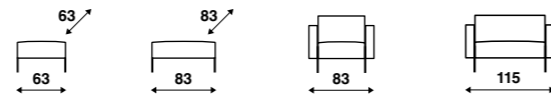


Mare fixed cushion | René Holten

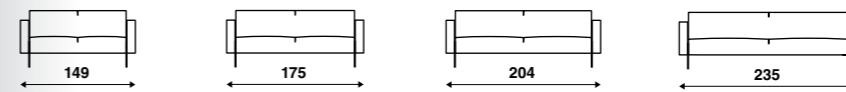




Foot stool
and armchair



Sofa



Mare fixed cushion

Armrests:

- Standard 11 cm width.
- Optional available with a width of 21 cm.

Base:

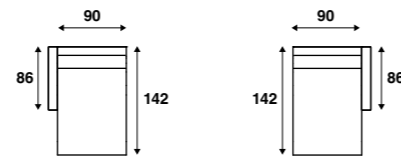
- Standard in Artifort powder coating collection.
- Optional in polished stainless steel.
- Standard seat height 43 cm.
- Also available with 2 cm higher base. This increases the seat height to 45 cm.
- Equipped with felt floor caps.

Upholstery:

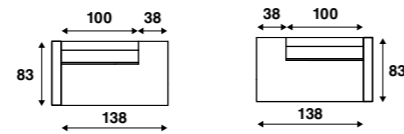
- With fixed back and seat cushion.
- Depending on the chosen upholstery, after a while pleats will appear. This cannot be avoided.



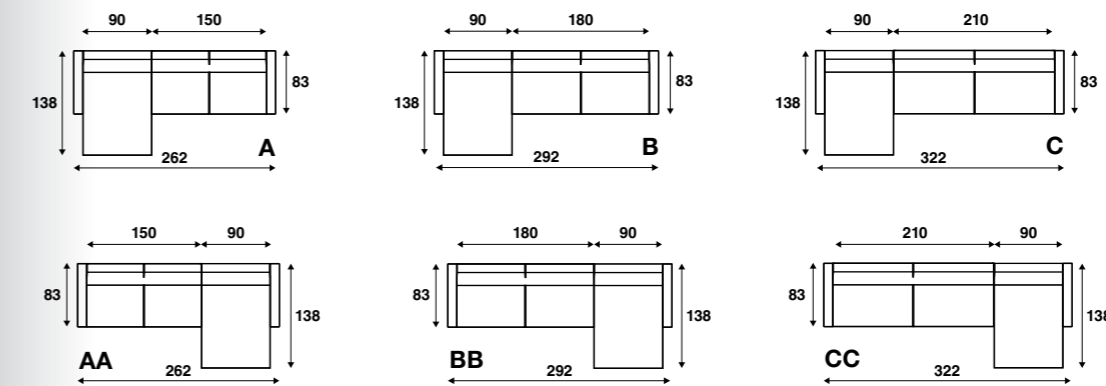
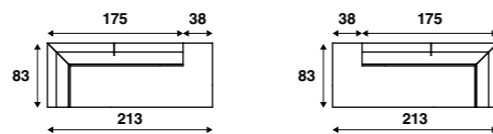
Chaise longue 1



Chaise longue 2



Dormeuse



1V

Mare fixed cushion

Armrests:

- Standard 11 cm width.
- Optional available with a width of 21 cm.

Base:

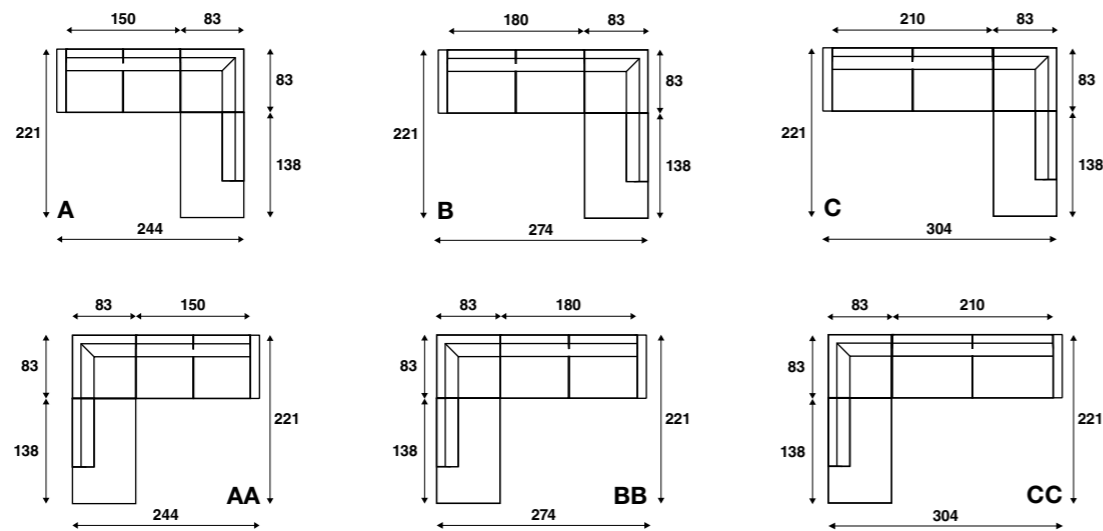
- Standard in Artifort powder coating collection.
- Optional in polished stainless steel.
- Standard seat height 43 cm.
- Also available with 2 cm higher base. This increases the seat height to 45 cm.
- Equipped with felt floor caps.

Upholstery:

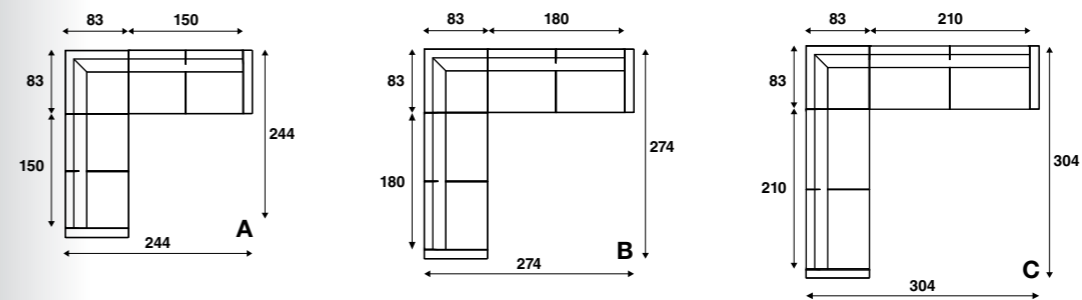
- With fixed back and seat cushion.
- Depending on the chosen upholstery, after a while pleats will appear. This cannot be avoided.



2V



3V



Mare fixed cushion

Armrests:

- Standard 11 cm width.
- Optional available with a width of 21 cm.

Base:

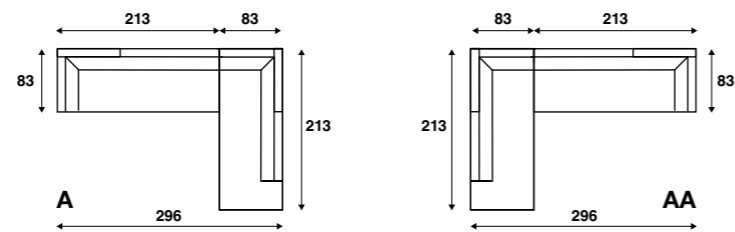
- Standard in Artifort powder coating collection.
- Optional in polished stainless steel.
- Standard seat height 43 cm.
- Also available with 2 cm higher base. This increases the seat height to 45 cm.
- Equipped with felt floor caps.

Upholstery:

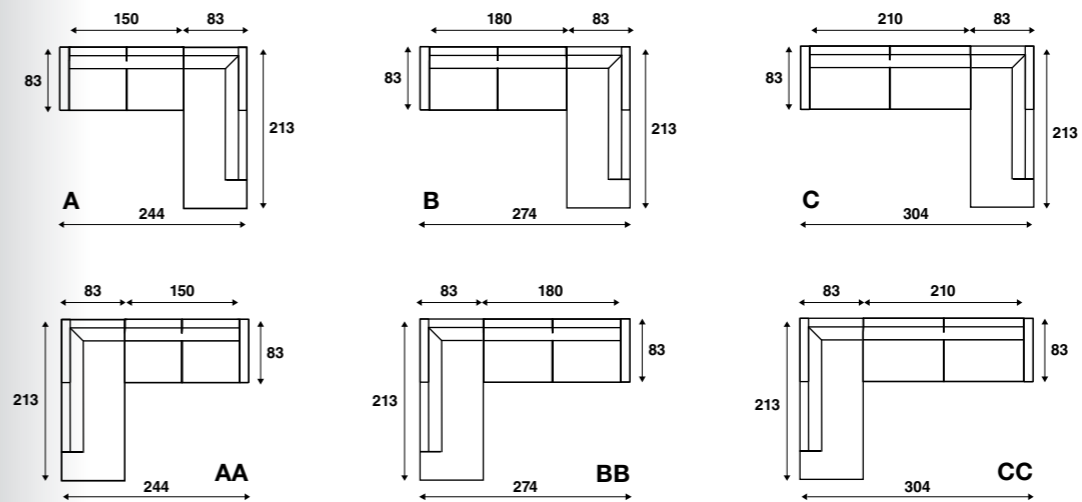
- With fixed back and seat cushion.
- Depending on the chosen upholstery, after a while pleats will appear. This cannot be avoided.



4V



5V



Mare fixed cushion

Armrests:

- Standard 11 cm width.
- Optional available with a width of 21 cm.

Base:

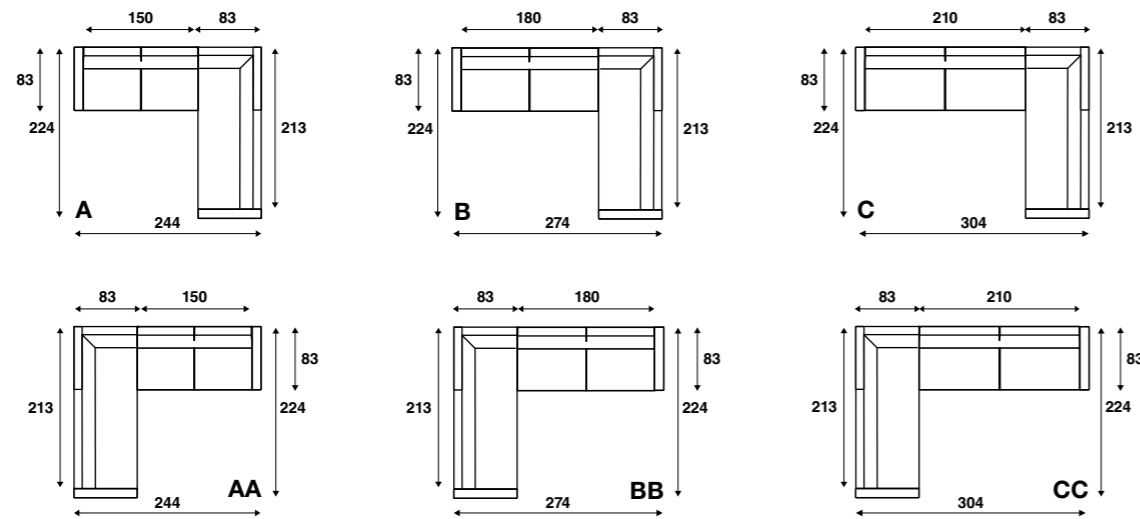
- Standard in Artifort powder coating collection.
- Optional in polished stainless steel.
- Standard seat height 43 cm.
- Also available with 2 cm higher base. This increases the seat height to 45 cm.
- Equipped with felt floor caps.

Upholstery:

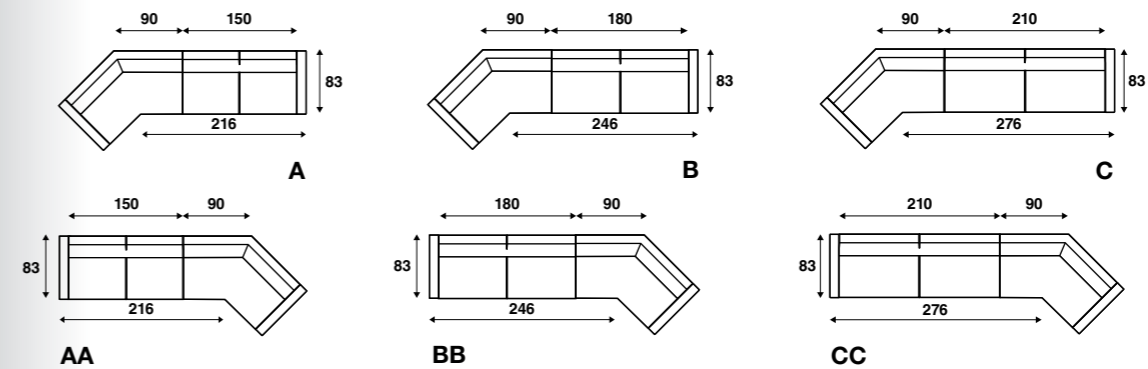
- With fixed back and seat cushion.
- Depending on the chosen upholstery, after a while pleats will appear. This cannot be avoided.



6V



7V



Mare fixed cushion

Armrests:

- Standard 11 cm width.
- Optional available with a width of 21 cm.

Base:

- Standard in Artifort powder coating collection.
- Optional in polished stainless steel.
- Standard seat height 43 cm.
- Also available with 2 cm higher base. This increases the seat height to 45 cm.
- Equipped with felt floor caps.

Upholstery:

- With fixed back and seat cushion.
- Depending on the chosen upholstery, after a while pleats will appear. This cannot be avoided.

Mare

loose cushion

Understated with a soft appearance.



Balans | Khodi Feiz

Mare loose cushion | René Holten



Orange Slice | Pierre Paulin

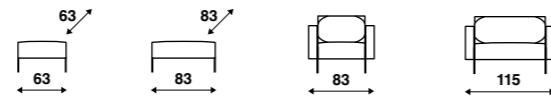


Extens | Khodi Feiz

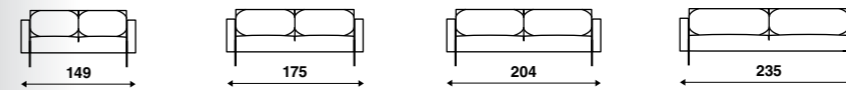
Mare loose cushion | René Holten



Foot stool
and armchair



Sofa



Mare loose cushion

Armrests:

- Standard 11 cm width.
- Optional available with a width of 21 cm.

Base:

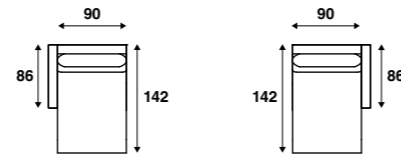
- Standard in Artifort powder coating collection.
- Optional in polished stainless steel.
- Standard seat height 43 cm.
- Also available with 2 cm higher base. This increases the seat height to 45 cm.
- Equipped with felt floor caps.

Upholstery:

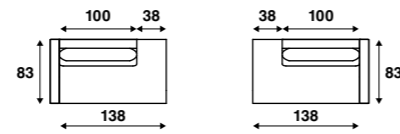
- With loose back cushion and fixed seat cushion.
- Optional available with upholstered, wooden or stainless steel buttons in the back cushions.
- Depending on the chosen upholstery, after a while pleats will appear. This cannot be avoided.



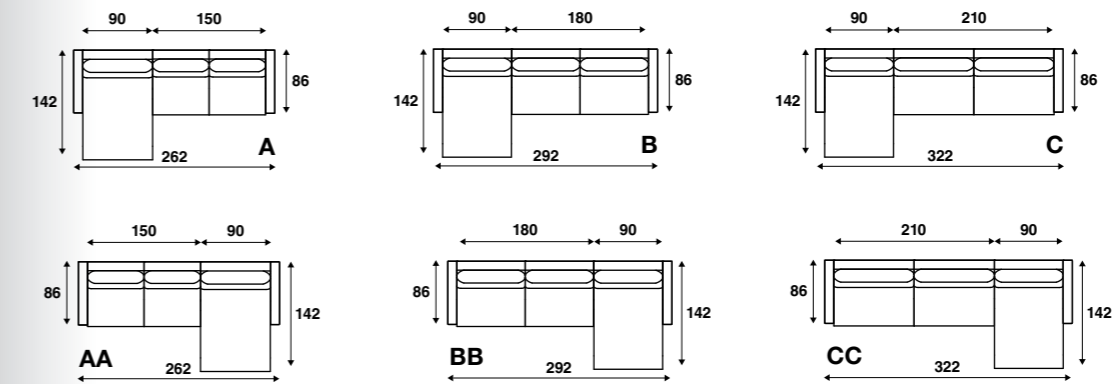
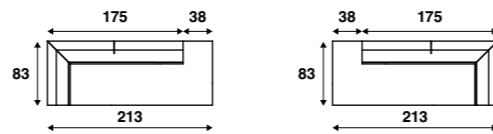
Chaise longue 1



Chaise longue 2



Dormeuse



1L

Mare loose cushion

Armrests:

- Standard 11 cm width.
- Optional available with a width of 21 cm.

Base:

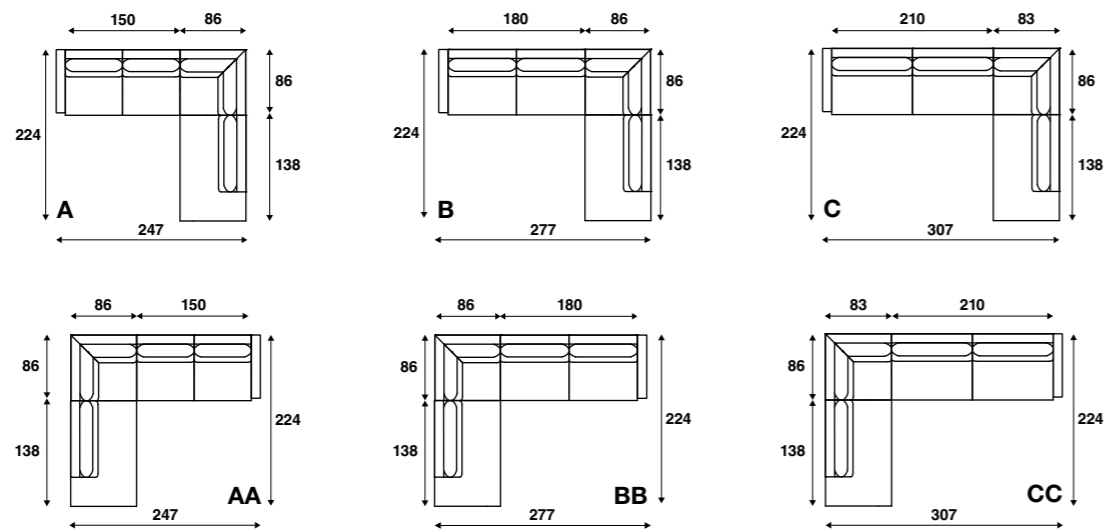
- Standard in Artifort powder coating collection.
- Optional in polished stainless steel.
- Standard seat height 43 cm.
- Also available with 2 cm higher base. This increases the seat height to 45 cm.
- Equipped with felt floor caps.

Upholstery:

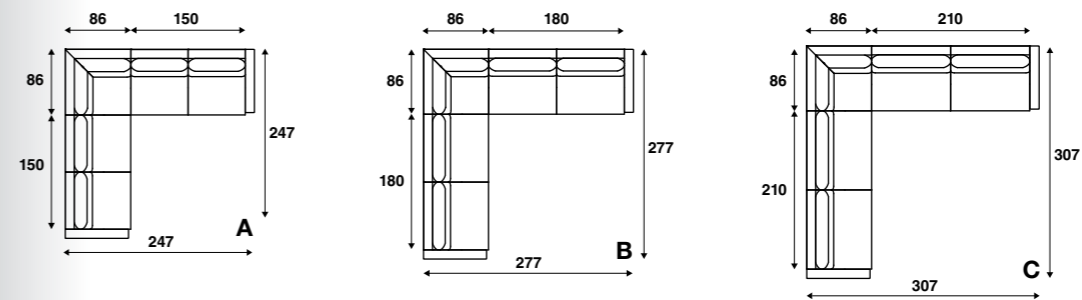
- With loose back cushion and fixed seat cushion.
- Optional available with upholstered, wooden or stainless steel buttons in the back cushions.
- Depending on the chosen upholstery, after a while pleats will appear. This cannot be avoided.



2L



3L



Mare loose cushion

Armrests:

- Standard 11 cm width.
- Optional available with a width of 21 cm.

Base:

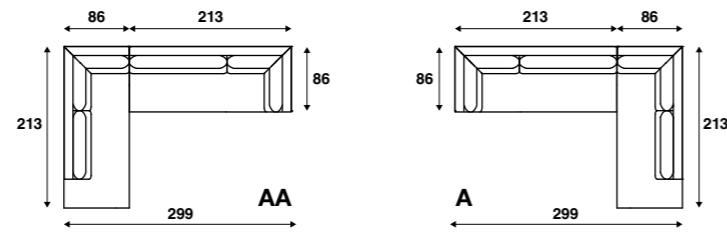
- Standard in Artifort powder coating collection.
- Optional in polished stainless steel.
- Standard seat height 43 cm.
- Also available with 2 cm higher base. This increases the seat height to 45 cm.
- Equipped with felt floor caps.

Upholstery:

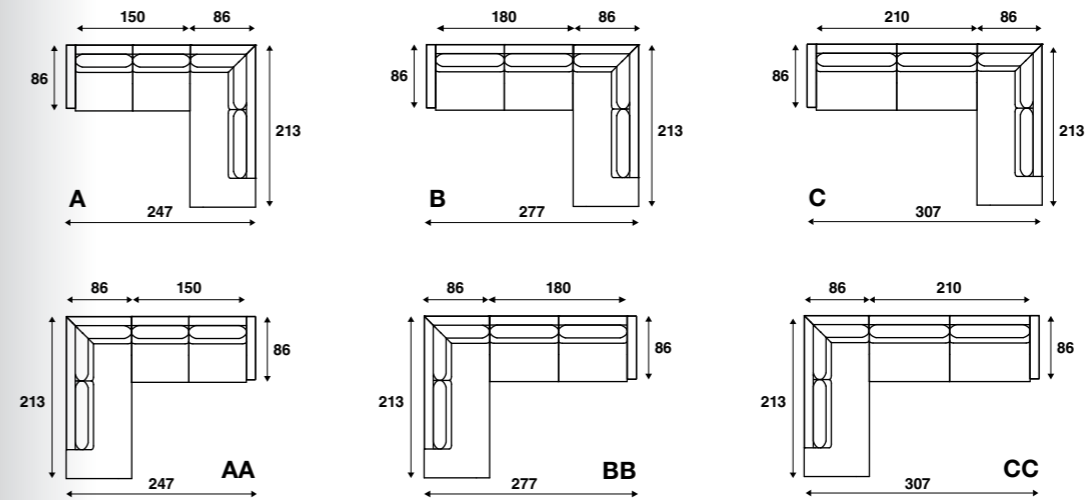
- With loose back cushion and fixed seat cushion.
- Optional available with upholstered, wooden or stainless steel buttons in the back cushions.
- Depending on the chosen upholstery, after a while pleats will appear. This cannot be avoided.



4L



5L



Mare loose cushion

Armrests:

- Standard 11 cm width.
- Optional available with a width of 21 cm.

Base:

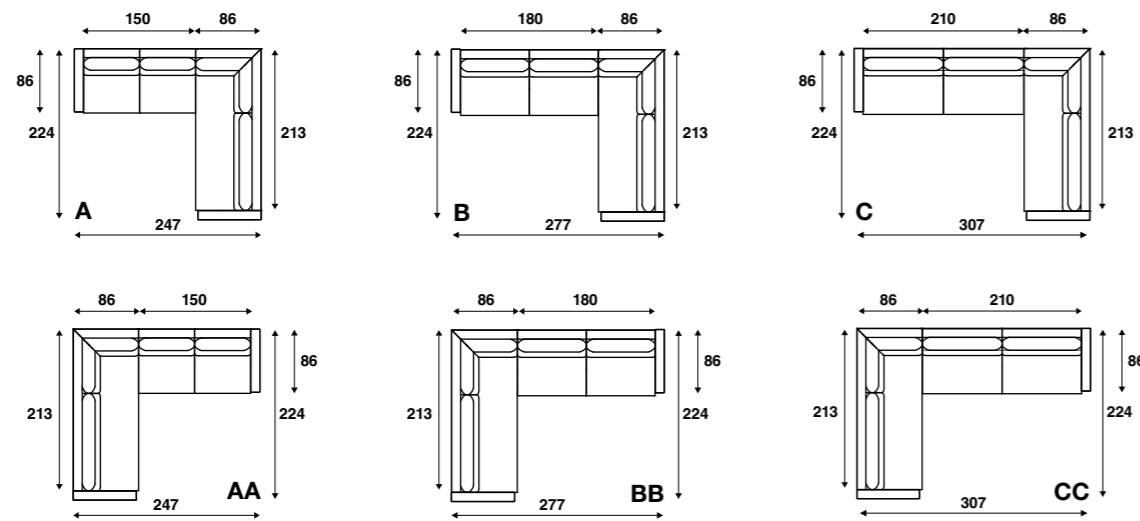
- Standard in Artifort powder coating collection.
- Optional in polished stainless steel.
- Standard seat height 43 cm.
- Also available with 2 cm higher base. This increases the seat height to 45 cm.
- Equipped with felt floor caps.

Upholstery:

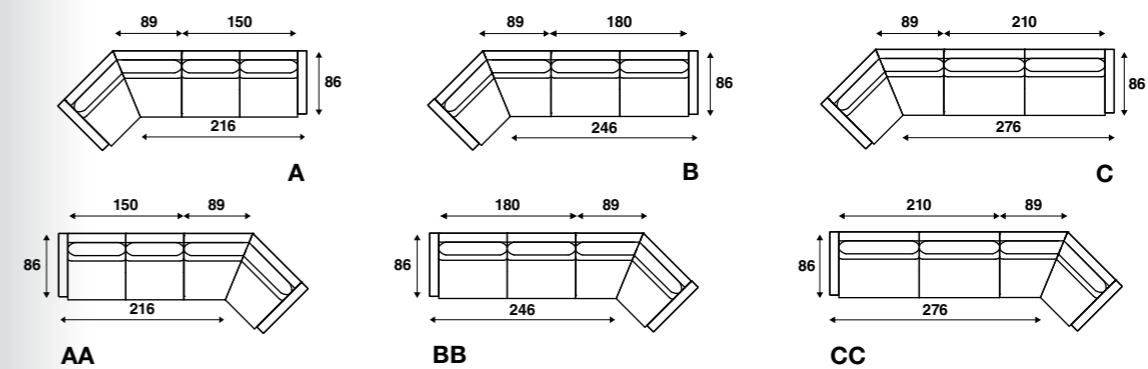
- With loose back cushion and fixed seat cushion.
- Optional available with upholstered, wooden or stainless steel buttons in the back cushions.
- Depending on the chosen upholstery, after a while pleats will appear. This cannot be avoided.



6L



7L



Mare loose cushion

Armrests:

- Standard 11 cm width.
- Optional available with a width of 21 cm.

Base:

- Standard in Artifort powder coating collection.
- Optional in polished stainless steel.
- Standard seat height 43 cm.
- Also available with 2 cm higher base. This increases the seat height to 45 cm.
- Equipped with felt floor caps.

Upholstery:

- With loose back cushion and fixed seat cushion.
- Optional available with upholstered, wooden or stainless steel buttons in the back cushions.
- Depending on the chosen upholstery, after a while pleats will appear. This cannot be avoided.

Artifort®

INSPIRATIONAL DESIGN SINCE 1890

Art-direction: Feiz Design Studio
Photography: Studio van Assendelft
Retouche: Jeroen van der Wielen
Printing: Bek
Text and images © Artifort 2018

Artifort is a Lande Group brand | Lande NL B.V. | Van Leeuwenhoekweg 20 | 5482 TK Schijndel | The Netherlands
P.O. Box 115 | 5480 AC Schijndel | The Netherlands | T +31 73 658 0040 | info@artifort.com | www.artifort.com

 /weloveartifort  /artifort  /artifort  /artifort_furniture

