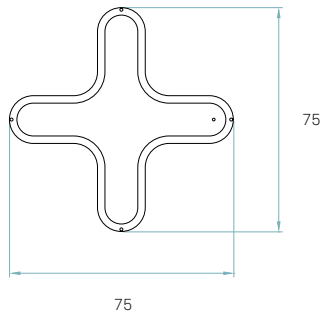
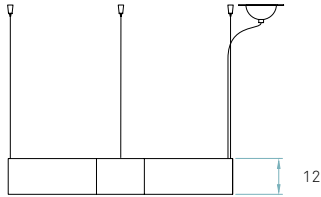


Fluorescent X-Club

by Burkhard Dämmer



REF. X SM 24 & 26
X-Club



References

- X SM
- X SM DIM
- X SM DIMRC

Certificates

- CE
- Class I
- 220 - 250V
- FSC
www.fsc.org
FSC® C110841
The mark of responsible forestry

Wood shade colours

- 20 Ivory White
- 21 Natural Cherry
- 22 Natural Beech
- 24 Yellow
- 25 Orange
- 26 Red
- 28 Blue
- 29 Grey
- 30 Turquoise
- 31 Chocolate
- 32 Pink

Components

- DIFF**
- Top diffuser**
Black or White
- Note:** The standard top diffuser is white. Black is also available if you want no upward light diffusion.
- Bottom diffuser**
Matt satin acrylic

- Metal canopy**
Brushed Nickel
ø 10 cm - disc ø 14 cm
- Electrical cable**
Transparent 2 m drop
- Steel cable**
4 x 2 m drop

Packaging

- Box size**
79 x 79 x 42 cm
- Box volume**
0,262 m³
- Weight**
Gross - 9,2 Kg
Net - 4,1 Kg

- T5**
- Linear Fluorescent**
2 x 24 W
(included)
- Energy class**
- A⁺⁺
- A⁺
- A
- B
- Tube included
- A⁺

- INFO**
- Ballast**
- TRIDONIC
1 unit - Ref. 22185150
- TRIDONIC
1 unit - Ref. 22185104
- BAG
1 unit - Ref. 10097296
+ Remote Control - DANLERS

Details

| Input Voltage | Luminous Flux * | CRI | Watt. | Total Watt. | CCT | Lifetime (L70) |
|---------------|-----------------|-----|----------|-------------|--------|----------------|
| 220 - 250V | 1986 lm | 85 | 2 x 24 W | 48 W | 3000 K | 30000h |

* Measurements taken using white shades, Veneer Ref: 20 Ivory White

References

X SM LED DIM0-10V

X SM LED DIMBT

Certificates



Class I

Dimmable:
120 - 277V

Bluetooth Dimming:
220 - 240V



Wood shade colours

- 20 Ivory White
- 21 Natural Cherry
- 22 Natural Beech
- 24 Yellow
- 25 Orange
- 26 Red
- 28 Blue
- 29 Grey
- 30 Turquoise
- 31 Chocolate
- 32 Pink



REF. X SM LED 24, 26 & X SG 24, 26
X-Club

Components



Top diffuser
Black or White

Note: The standard top diffuser is white. Black is also available if you want no upward light diffusion.

Bottom diffuser
Matt satin acrylic



Metal canopy
Brushed Nickel
34 x 11,5 x 5 cm

Electrical cable
Transparent 2 m drop



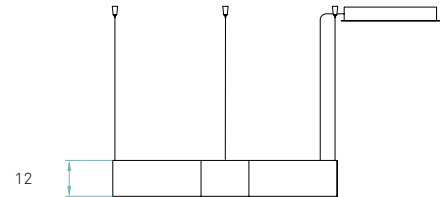
Steel cable
4 x 2 m drop



Box size
79 x 79 x 42 cm

Box volume
0,262 m³

Weight
Gross - 10,1 Kg
Net - 5,2 Kg



LED

Linear Module
4 x 8,1 W 700mA

Energy class

A⁺
LED integrated

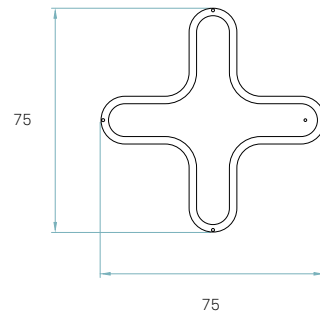


Driver

EFORE
1 unit - Ref. RCL050-1400B

EFORE
1 unit - Ref. RCL050-1400B
+ Bluetooth Control - CASAMBI / ELT
1 unit - Ref. CBU - ASD

Driver housed in canopy.



Details

| Input Voltage | Luminous Flux * | CRI | Watt. | CCT | Lifetime (L70) |
|---------------|-----------------|-----|-------|--------|----------------|
| 120 - 277V | 2832 lm | 90 | 35 W | 3000 K | 40000h |
| 220 - 240V | | | | | |

* Measurements taken using white shades, Veneer Ref: 20 Ivory White