

Products / Stools & Ottomans / Brooklyn Counter Stool ø45x66

Brooklyn counter stool ø45x66

by Eugeni Quitllet

Brooklyn furniture collection, designed by Eugeni Quitllet for Vondom. Is a **modern and timeless collection** that creates a bridge between the future and the past. Based on straight lines and curves emulating the New York City bridge. Urban design suitable in the best world's spaces. Brooklyn is today, yesterday and tomorrow.

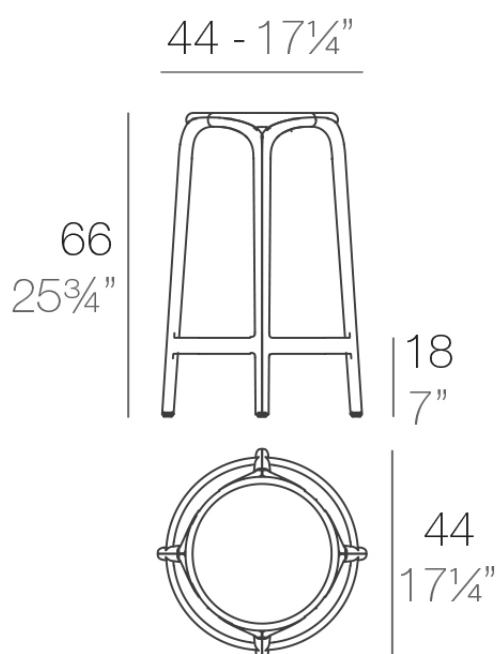


Info

Description

Made of injected polypropylene with fiber glass. Stackable. Available in several colors. Item suitable for indoor and outdoor use.

Weight: 4.06 Kg

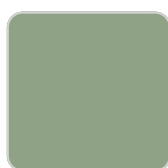


BROOKLYN Taburete Alto 66
BROOKLYN Bar Stool 25¾"

Finishes

finishes

BASIC PP
Ref. 65028



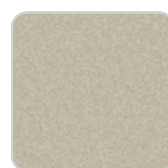
pickle



white



black



ecru



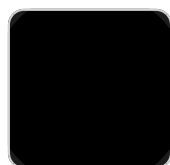
tortora

Available in various colors

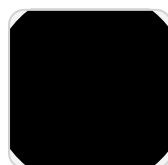
LACQUERED COLOR INJECTION PP
Ref. 65028F



anthracite 3106



black 3102



white 3101

-

Ambients



Products / Stools & Ottomans / Brooklyn Bar Stool ø45x76

Brooklyn bar stool ø45x76

by Eugeni Quitllet

Brooklyn furniture collection, designed by Eugeni Quitllet for Vondom. Is a **modern and timeless collection** that creates a bridge between the future and the past. Based on straight lines and curves emulating the New York City bridge. Urban design suitable in the best world's spaces. Brooklyn is today, yesterday and tomorrow.

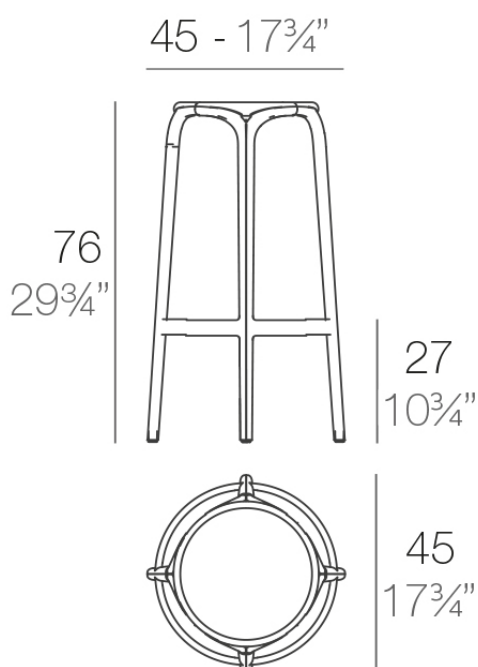


Info

Description

Made of injected polypropylene with fiber glass. Stackable. Available in several colors. Item suitable for indoor and outdoor use.

Weight: 4.31 Kg

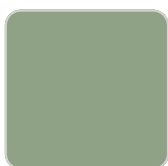


BROOKLYN Taburete Alto 76
BROOKLYN Bar Stool 29 3/4"

Finishes

finishes

BASIC PP
Ref. 65027



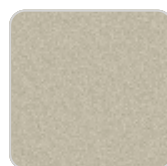
pickle



white



black



ecru



tortora

Available in various colors

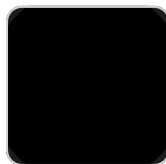
LACQUERED COLOR INJECTION PP
Ref. 65027F



white 3101



anthracite 3106



black 3102

-

Ambients

