

Vineyard planter legs

by Ramón Esteve

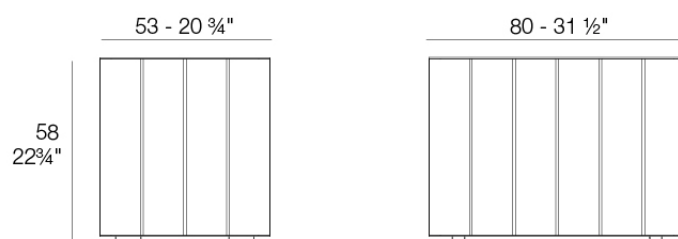
Vineyard Collection, by Ramon Esteve, is an aluminium and wooden outdoor furniture collection with a rustic and warm style.



Info

Description

Weight: 43.7 Kg



Versión con patas
Leg version

Vineyard planter wheel

by Ramón Esteve

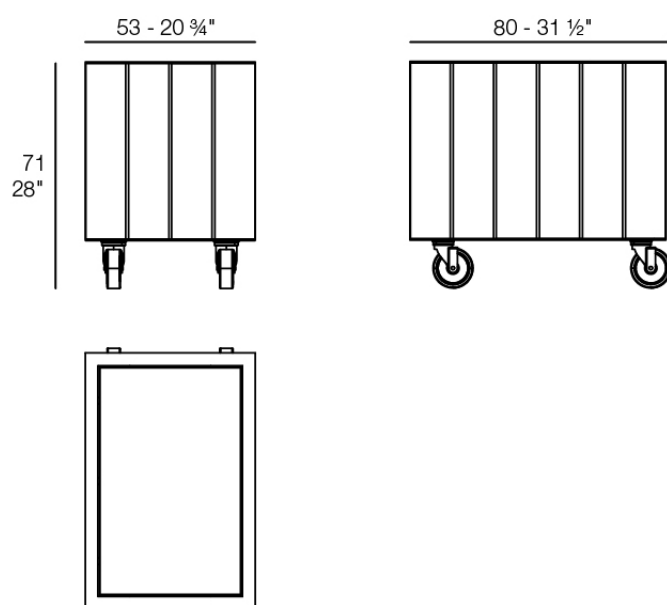
Vineyard Collection, by Ramon Esteve, is an aluminium and wooden outdoor furniture collection with a rustic and warm style.



Info

Description

Weight: 43.7 Kg



VINEYARD Maceta 800 x 500 C = 152 L
VINEYARD Planter 31 1/2" x 20 3/4" C = 40 gal

Vineyard planter xl wheel

by Ramón Esteve

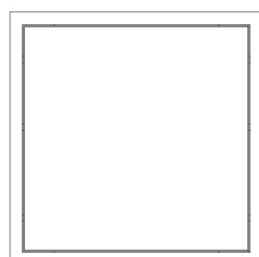
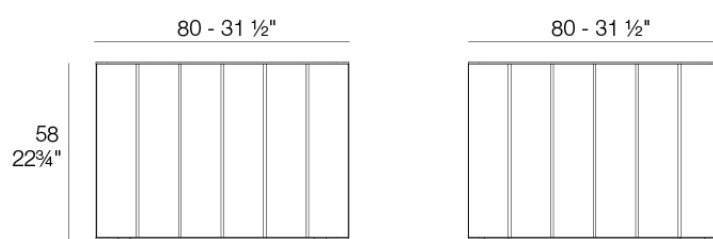
Vineyard Collection, by Ramon Esteve, is an aluminium and wooden outdoor furniture collection with a rustic and warm style.



Info

Description

Weight: 43.7 Kg



Versión con patas
Leg version

Vineyard planter xl wheel

by Ramón Esteve

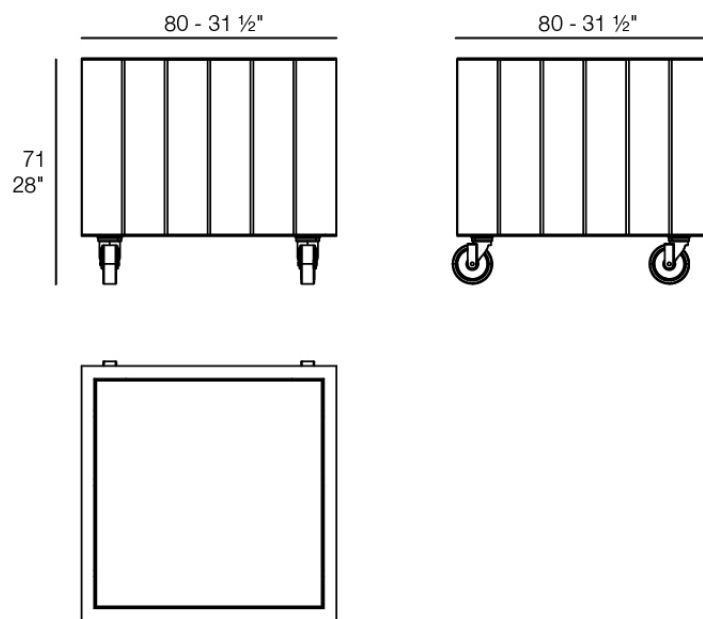
Vineyard Collection, by Ramon Esteve, is an aluminium and wooden outdoor furniture collection with a rustic and warm style.



Info

Description

Weight: 43.7 Kg

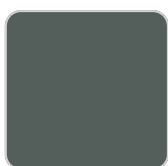


VINEYARD Maceta 800 x 800 C = 248 L
VINEYARD Planter 31 1/2" x 31 1/2" C = 65 gal

Finishes

panel/top

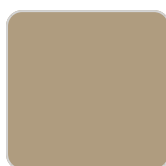
Solid Core



modo green

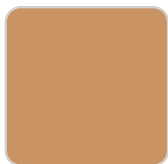


oak1



oak2

Teak



natural teak



weathered teak