

Milos sectional sofa right

by Jean-Marie Massaud

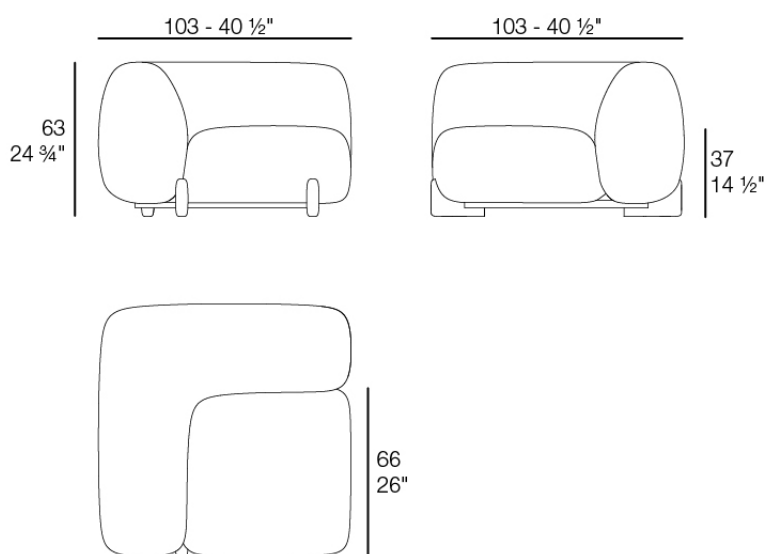
The Milos collection is the fruit of **Vondom's first collaboration with French designer Jean-Marie Massaud**. An example of how simplicity and functionality can be combined to create an elegant and comfortable outdoor furniture collection. Characterised by soft curves, this collection focuses on comfort.



Info

Description

Weight: 24 Kg



MILOS Sofá Brazo Derecho
MILOS Sectional Sofa Right
Ref. 70006

Milos armless section

by Jean-Marie Massaud

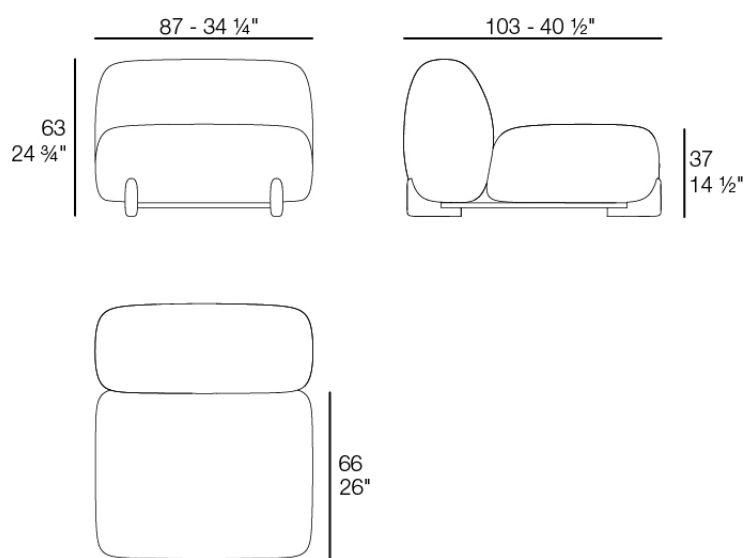
The Milos collection is the fruit of **Vondom's first collaboration with French designer Jean-Marie Massaud**. An example of how simplicity and functionality can be combined to create an elegant and comfortable outdoor furniture collection. Characterised by soft curves, this collection focuses on comfort.



Info

Description

Weight: 19 Kg



MILOS Sofá Módulo Central S
MILOS Sectional Sofa Armless S
Ref. 70007

Milos sectional sofa left

by Jean-Marie Massaud

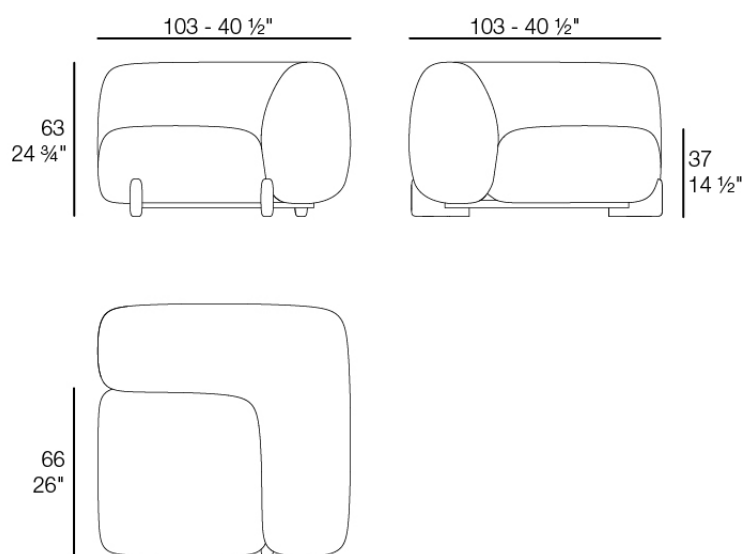
The Milos collection is the fruit of **Vondom's first collaboration with French designer Jean-Marie Massaud**. An example of how simplicity and functionality can be combined to create an elegant and comfortable outdoor furniture collection. Characterised by soft curves, this collection focuses on comfort.



Info

Description

Weight: 24 Kg



MILOS Sofá Brazo Izquierdo
MILOS Sectional Sofa Left
Ref. 70005

Milos sectional sofa right xl

by Jean-Marie Massaud

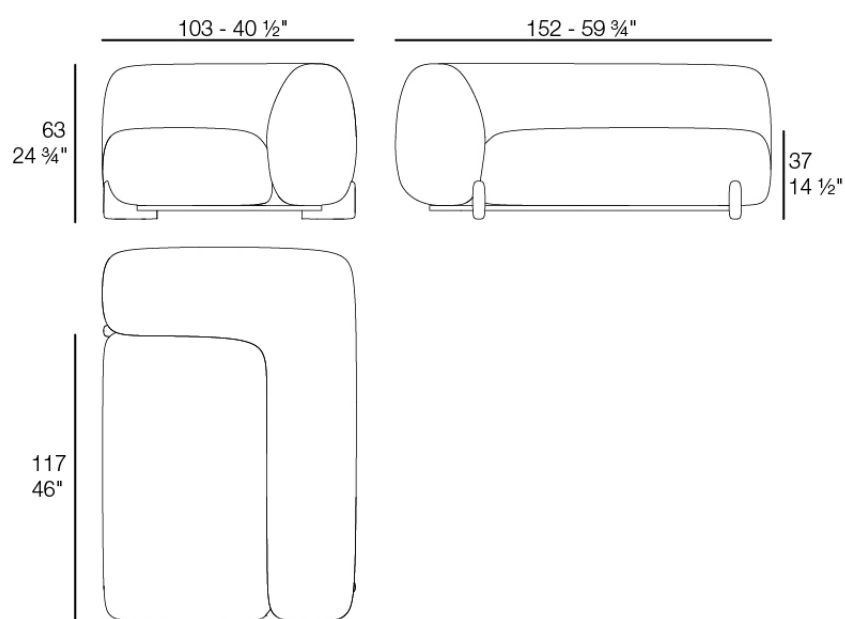
The Milos collection is the fruit of **Vondom's first collaboration with French designer Jean-Marie Massaud**. An example of how simplicity and functionality can be combined to create an elegant and comfortable outdoor furniture collection. Characterised by soft curves, this collection focuses on comfort.



Info

Description

Weight: 30 Kg



MILOS Sofá Brazo Derecho XL
MILOS Sectional Sofa Right XL
Ref. 70002

Milos armless section xl

by Jean-Marie Massaud

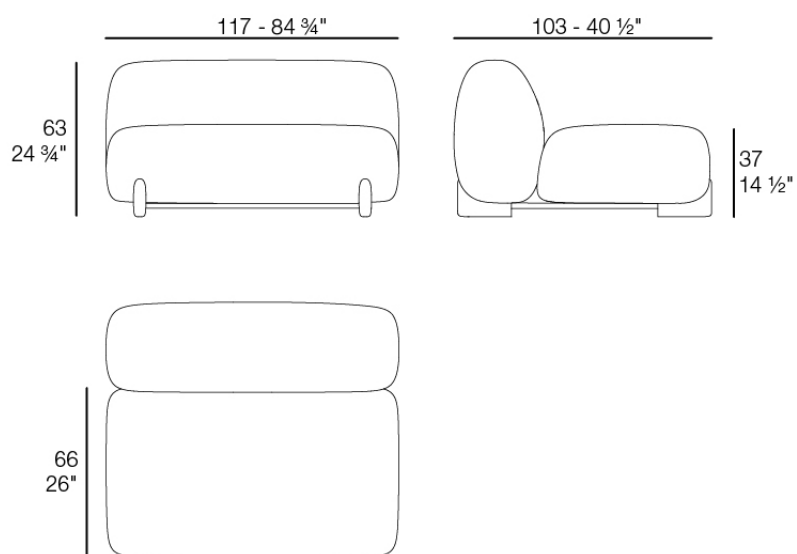
The Milos collection is the fruit of **Vondom's first collaboration with French designer Jean-Marie Massaud**. An example of how simplicity and functionality can be combined to create an elegant and comfortable outdoor furniture collection. Characterised by soft curves, this collection focuses on comfort.



Info

Description

Weight: 10 Kg



MILOS Sofá Módulo Central M
MILOS Sectional Sofa Armless M
Ref. 70004

Milos sectional sofa left xl

by Jean-Marie Massaud

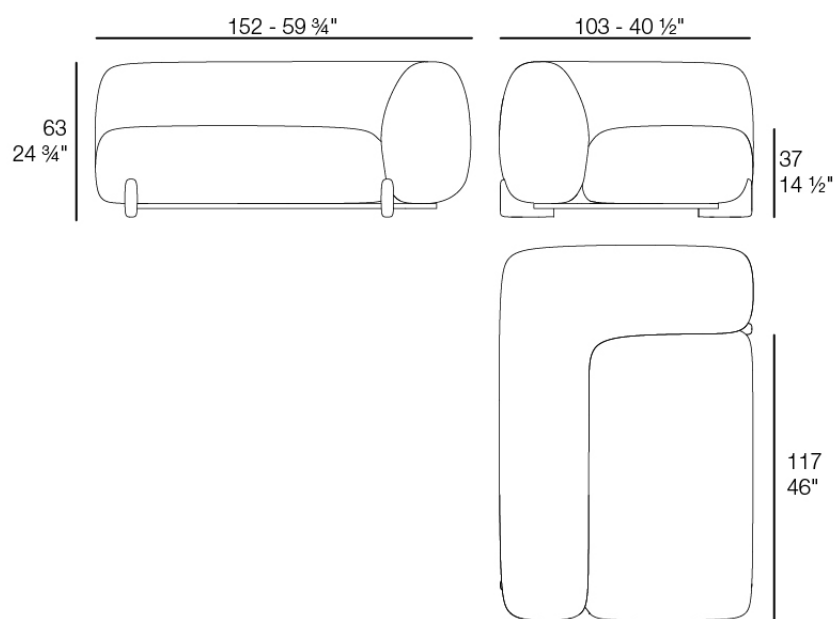
The Milos collection is the fruit of **Vondom's first collaboration with French designer Jean-Marie Massaud**. An example of how simplicity and functionality can be combined to create an elegant and comfortable outdoor furniture collection. Characterised by soft curves, this collection focuses on comfort.



Info

Description

Weight: 30 Kg



MILOS Sofá Brazo Izquierdo XL
MILOS Sectional Sofa Left XL
Ref. 70003

Milos corner

by Jean-Marie Massaud

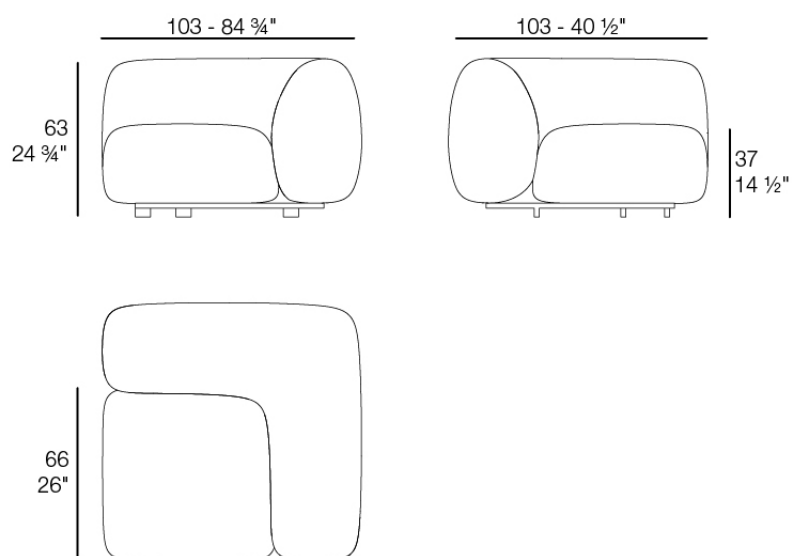
The Milos collection is the fruit of **Vondom's first collaboration with French designer Jean-Marie Massaud**. An example of how simplicity and functionality can be combined to create an elegant and comfortable outdoor furniture collection. Characterised by soft curves, this collection focuses on comfort.



Info

Description

Weight: 24 Kg

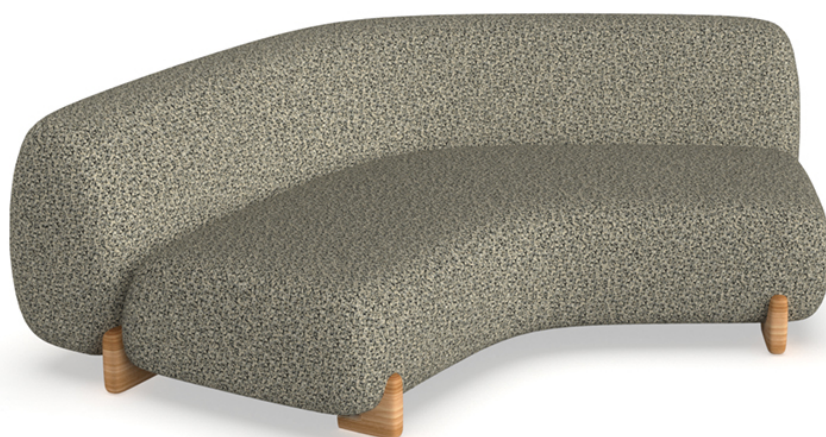


MILOS Sofá Esquina
MILOS Sectional Sofa Corner
Ref. 70008

Milos corner 60°

by Jean-Marie Massaud

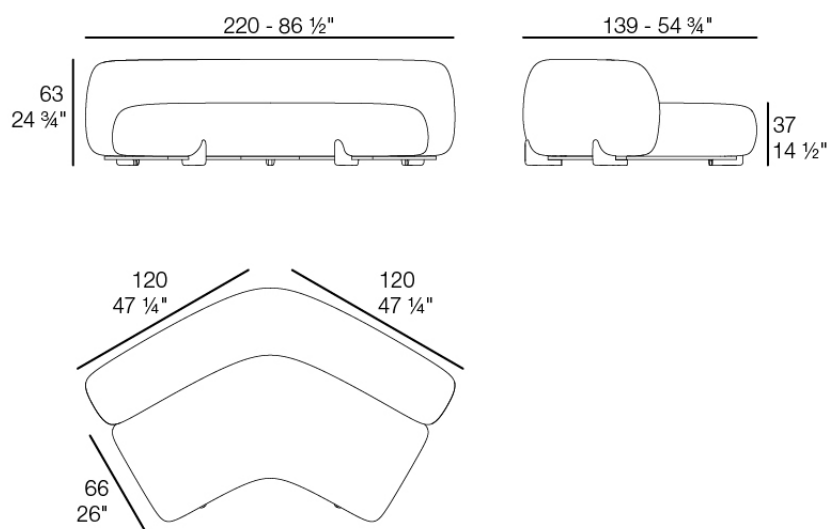
The Milos collection is the fruit of **Vondom's first collaboration with French designer Jean-Marie Massaud**. An example of how simplicity and functionality can be combined to create an elegant and comfortable outdoor furniture collection. Characterised by soft curves, this collection focuses on comfort.



Info

Description

Weight: 44 Kg



MILOS Sofá Esquina 60°
MILOS Sectional Sofa Corner 60°
Ref. 70009

Milos chaselongue right section

by Jean-Marie Massaud

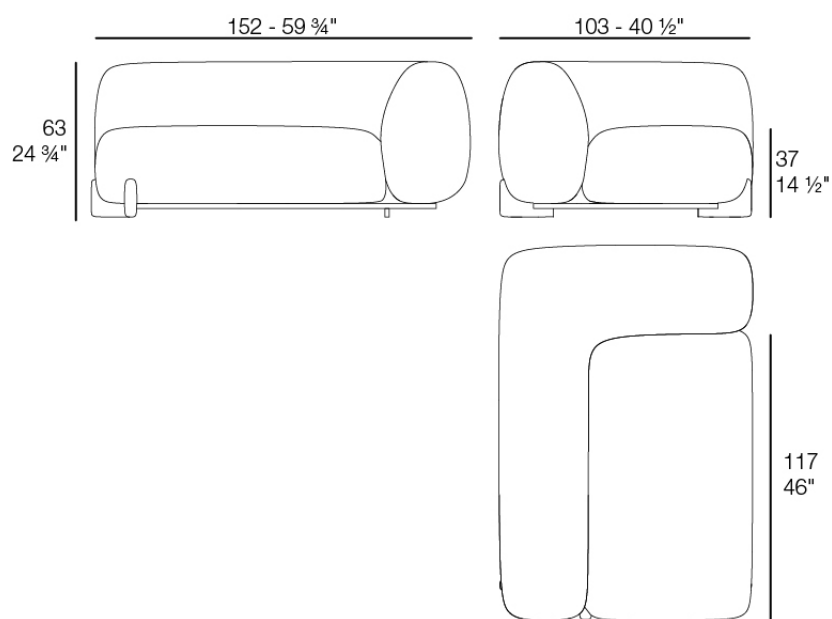
The Milos collection is the fruit of **Vondom's first collaboration with French designer Jean-Marie Massaud**. An example of how simplicity and functionality can be combined to create an elegant and comfortable outdoor furniture collection. Characterised by soft curves, this collection focuses on comfort.



Info

Description

Weight: 30 Kg



MILOS Sofá Chaiselounge Derecha
MILOS Sectional Sofa Chaiselounge Right
Ref. 70027

Milos chaselongue

by Jean-Marie Massaud

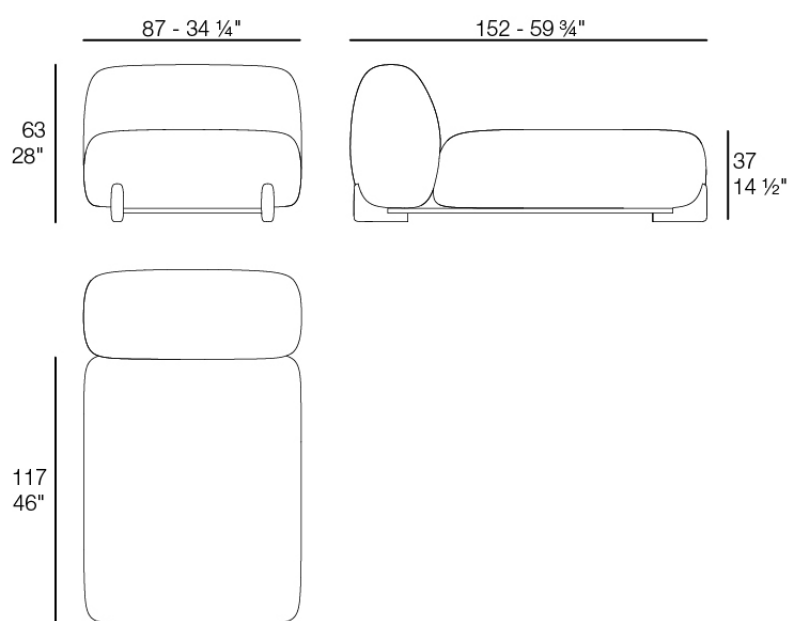
The Milos collection is the fruit of **Vondom's first collaboration with French designer Jean-Marie Massaud**. An example of how simplicity and functionality can be combined to create an elegant and comfortable outdoor furniture collection. Characterised by soft curves, this collection focuses on comfort.



Info

Description

Weight: 26 Kg



MILOS Sofá Chaise Lounge
MILOS Sectional Chaise Lounge
Ref. 70011

Milos chaiselongue left section

by Jean-Marie Massaud

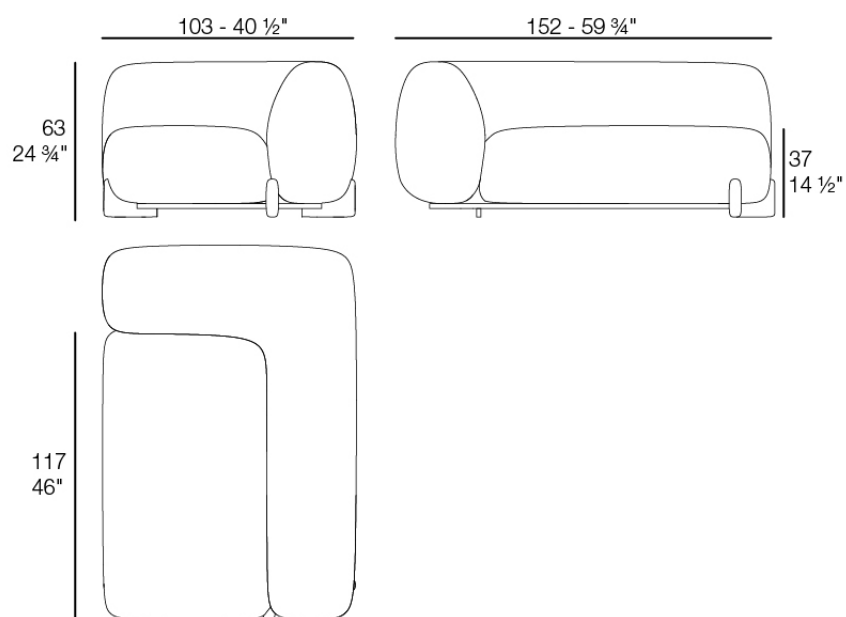
The Milos collection is the fruit of **Vondom's first collaboration with French designer Jean-Marie Massaud**. An example of how simplicity and functionality can be combined to create an elegant and comfortable outdoor furniture collection. Characterised by soft curves, this collection focuses on comfort.



Info

Description

Weight: 30 Kg



MILOS Sofá Chaiselounge Izquierda
MILOS Sectional Sofa Chaiselounge Left
Ref. 70028

Milos puff

by Jean-Marie Massaud

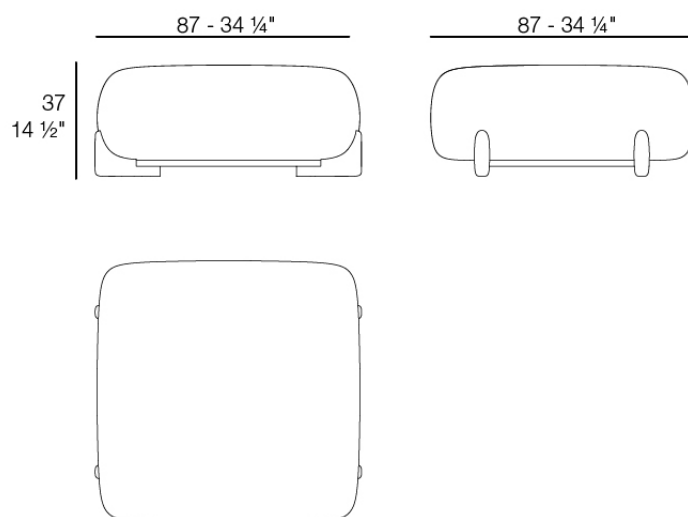
The Milos collection is the fruit of **Vondom's first collaboration with French designer Jean-Marie Massaud**. An example of how simplicity and functionality can be combined to create an elegant and comfortable outdoor furniture collection. Characterised by soft curves, this collection focuses on comfort.



Info

Description

Weight: 14 Kg

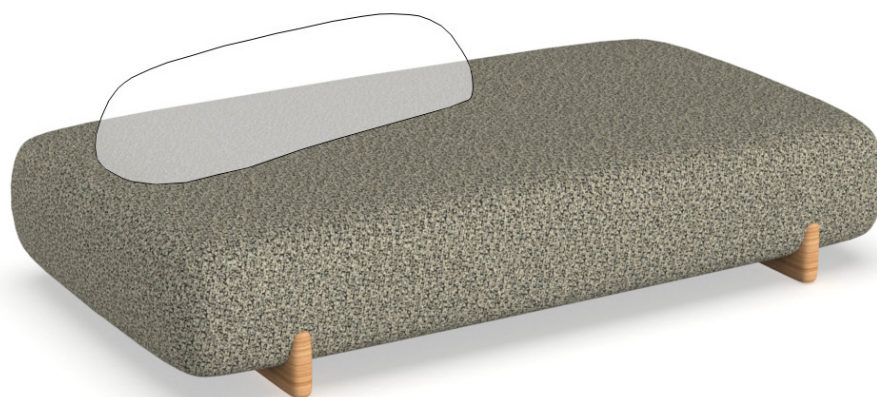


MILOS Puff-Chaise Lounge
MILOS Ottoman-Chaise Lounge
Ref. 70010

Milos puff xl

by Jean-Marie Massaud

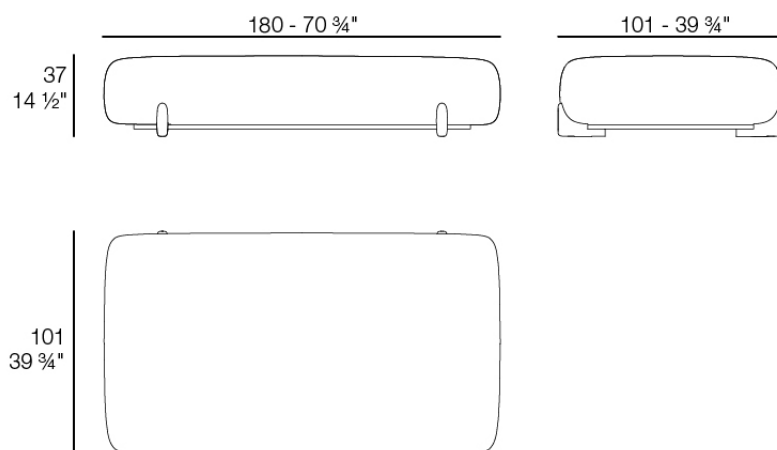
The Milos collection is the fruit of **Vondom's first collaboration with French designer Jean-Marie Massaud**. An example of how simplicity and functionality can be combined to create an elegant and comfortable outdoor furniture collection. Characterised by soft curves, this collection focuses on comfort.



Info

Description

Weight: 31 Kg



MILOS Puff XL
MILOS Puff XL
Ref. 70014

Finishes

finishes

POLYURETHANE

Ref. 70014

Furniture made of flexible polyurethane injected cold. This material possesses a high resilience and durability.

fabric

GLAD

Ref. 70014CO



oro 1031



ocre 1051



sunset 1020



delhi 1038



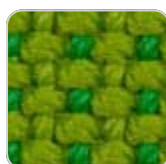
lima 1030



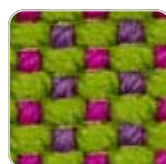
aguacate 1028



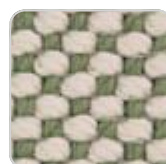
caribe 1004



bosc 1029



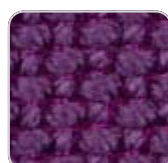
artemisa 1027



oasis 1007



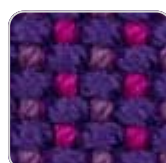
oceano 1005



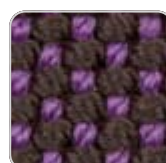
pruna 1045



noa 1026

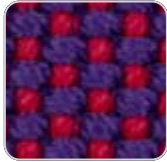


berry 1021



amatista 1011

VONDOM



vera 1019



afrodita 1013



grana 1046



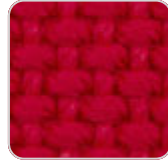
bacco 1034



dahlia 1035



wine 1012



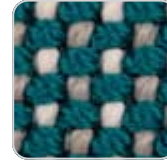
foc 1052



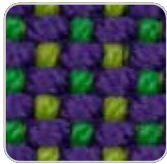
hestia 1014



turquoise 1053



niord 1015



masai 1018



ultramar 1002



aquamarina 1003



esmeralda 1016



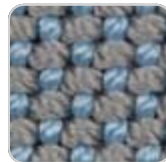
night 1024



galan 1025



eclipse 1023



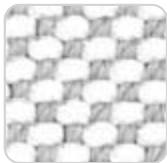
perla 1006



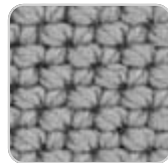
calipso 1017



snow 1041



iceberg 1037



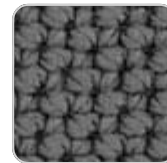
steel 1042



moon 1040



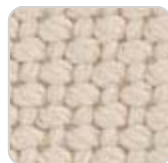
granito 1008



grey 1043



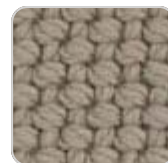
anthracite 1044



ecru 1047



dessert 1033



taupe 1048



terra 1039



duna 1009



moka 1010



chocolate 1050

Soft and cozy fabric suitable for indoor and outdoor use.

VARM

VONDOM

Ref. 70014CO

Soft and cozy fabric suitable for indoor and outdoor use.

HYGGE

Ref. 70014CO

Soft and cozy fabric suitable for indoor and outdoor use.

KROLLET

Ref. 70014CO

Soft and cozy fabric suitable for indoor and outdoor use.

Milos back cushion

by Jean-Marie Massaud

The Milos collection is the fruit of **Vondom's first collaboration with French designer Jean-Marie Massaud**. An example of how simplicity and functionality can be combined to create an elegant and comfortable outdoor furniture collection. Characterised by soft curves, this collection focuses on comfort.



Info

Description

Weight: 2.16 Kg