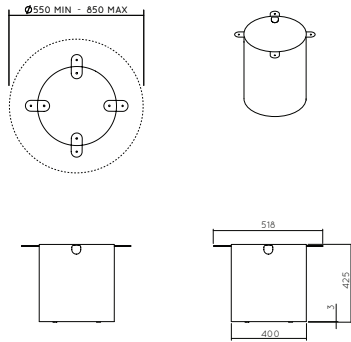
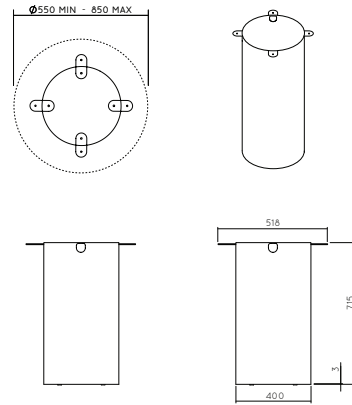


400 Diameter Table Bases



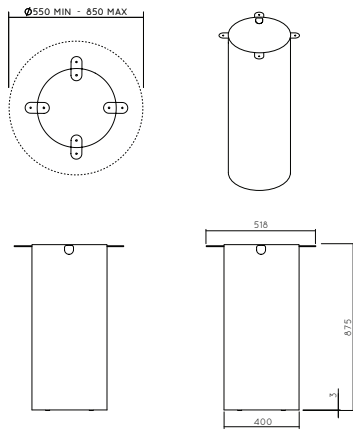
NT-DOL-400-425

Weight: -kg



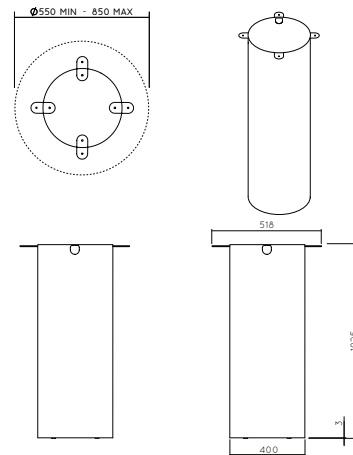
NT-DOL-400-715

Weight: -kg



NT-DOL-400-875

Weight: -kg



NT-DOL-400-1025

Weight: -kg

Materials + Finishes:

- Mild steel
- Nylon glides
- Zinc Prime
- Dulux Duralloy powdercoat

Options:

- Can be floor mounted
- Rail system for larger tables M5
- Adjustable glides M8 included
- 40mm soft wire plug access

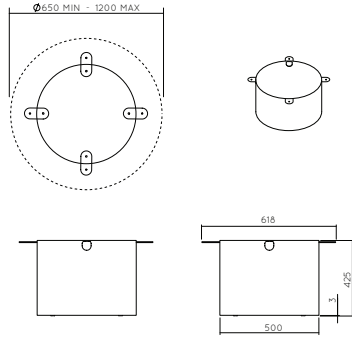
Warranty:

- 2 years structural

Country of Origin:

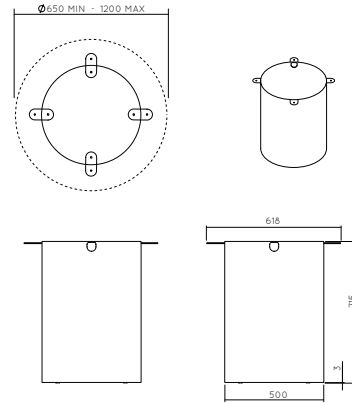
- Australia

500 Diameter Table Bases



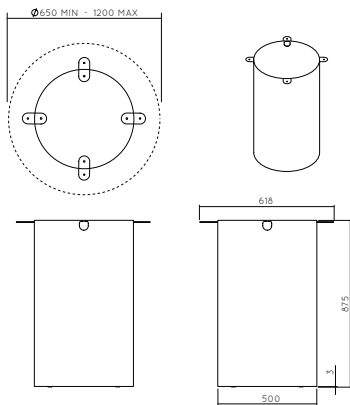
NT-DOL-500-425

Weight: -kg



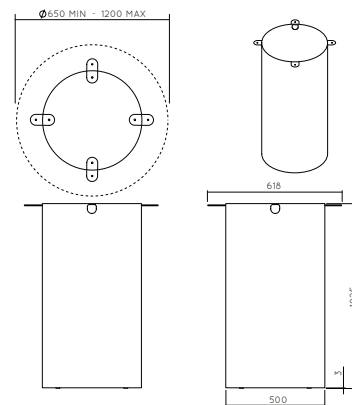
NT-DOL-500-715

Weight: -kg



NT-DOL-500-875

Weight: -kg



NT-DOL-500-1025

Weight: -kg

Materials + Finishes:

- Mild steel
- Nylon glides
- Zinc Prime
- Dulux Duralloy powdercoat

Options:

- Can be floor mounted
- Rail system for larger tables M5
- Adjustable glides M8 included
- 40mm soft wire plug access

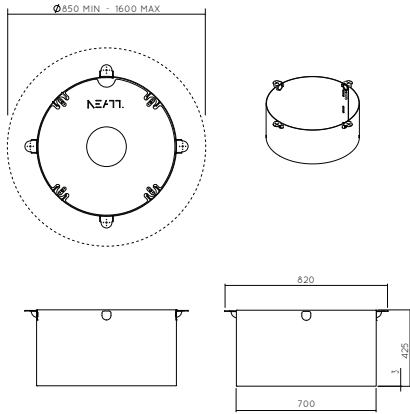
Warranty:

- 2 years structural

Country of Origin:

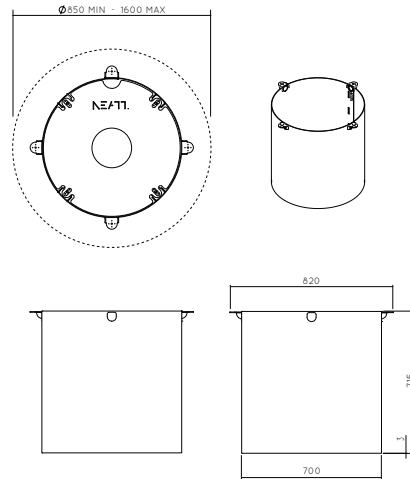
- Australia

700 Diameter Table Bases



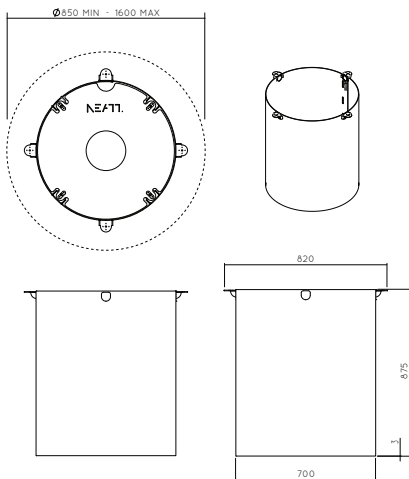
NT-DOL-700-425

Weight: -kg



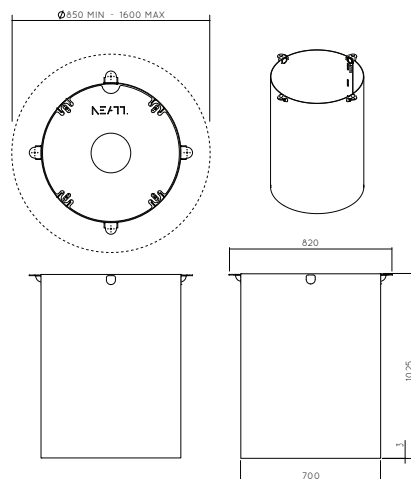
NT-DOL-700-715

Weight: -kg



NT-DOL-700-875

Weight: -kg



NT-DOL-700-1025

Weight: -kg

Materials + Finishes:

- Mild steel
- Nylon glides
- Zinc Prime
- Dulux Duralloy powdercoat

Options:

- Can be floor mounted
- Rail system for larger tables M5
- Adjustable glides M8 included
- 40mm soft wire plug access

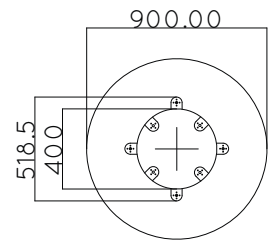
Warranty:

- 2 years structural

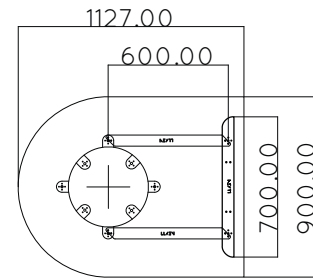
Country of Origin:

- Australia

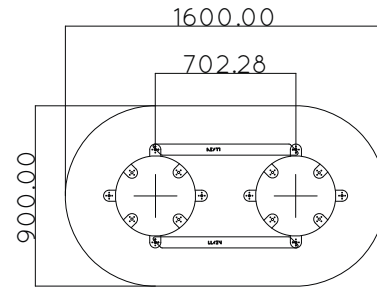
Typical Configurations



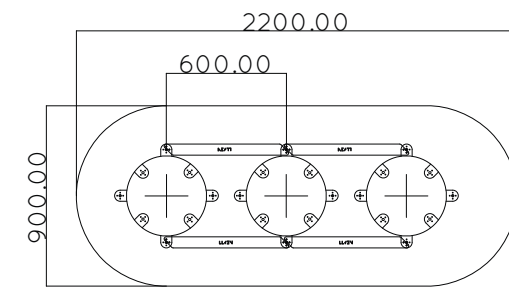
**400dia base
Round Table**



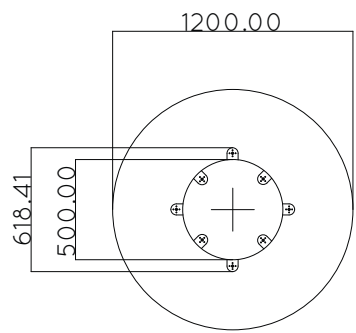
**400dia base
Conference configuration**



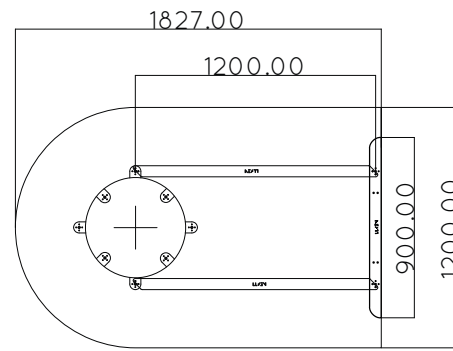
**2 x 400dia base
Meeting Table**



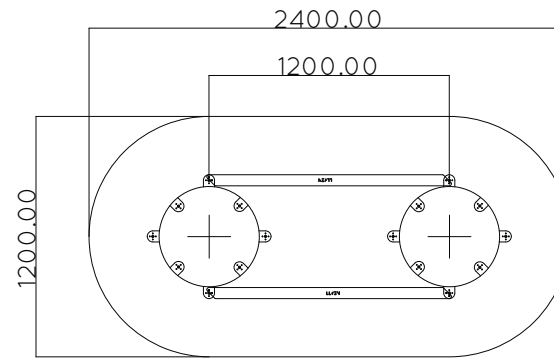
**3 x 400dia base
Meeting Table**



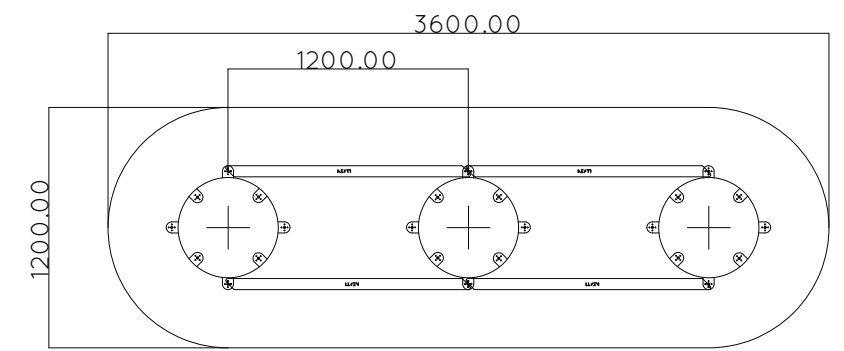
**500dia base
Round Table**



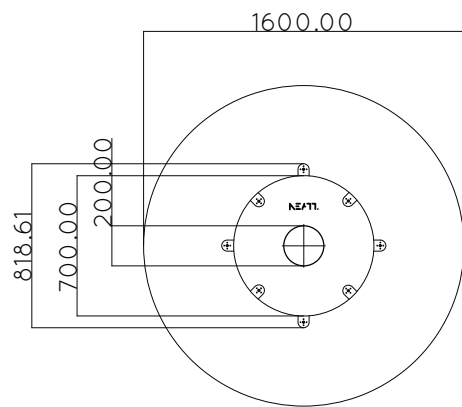
**500dia base
Conference configuration**



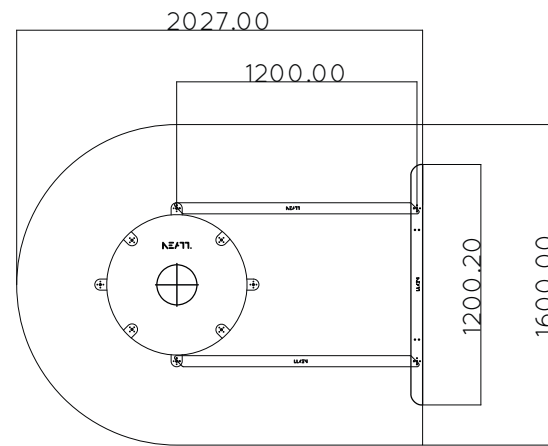
**2 x 500dia base
Meeting Table**



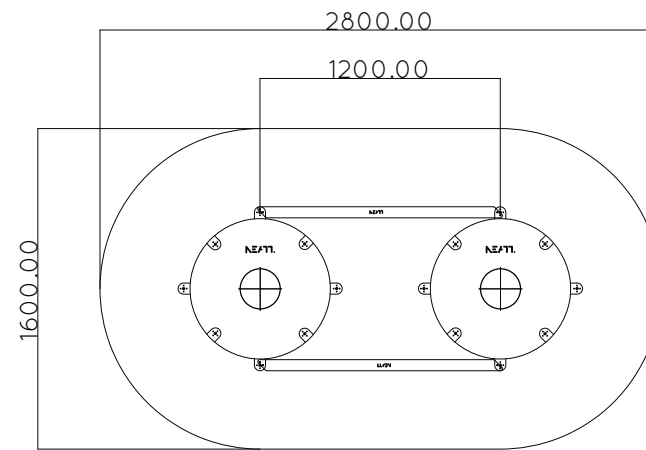
**3 x 500dia base
Meeting Table**



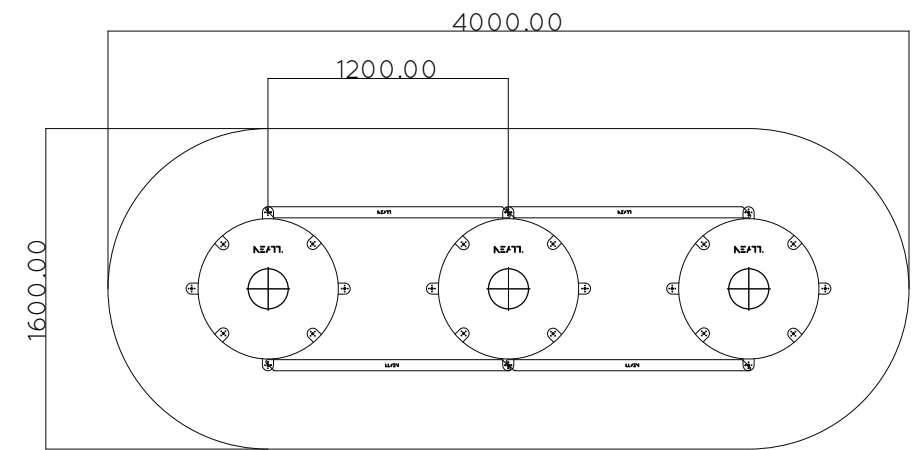
**700dia base
Round Table**



**700dia base
Conference configuration**

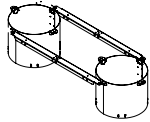


**7 x 500dia base
Meeting Table**

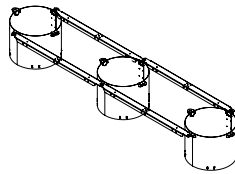


**7 x 500dia base
Meeting Table**

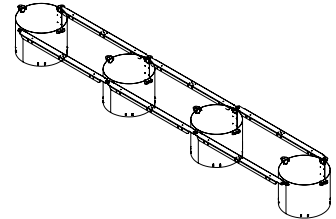
Multi Base Configurations



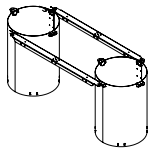
NT-DOL-500-425X2
suits - 2400 x 1200mm



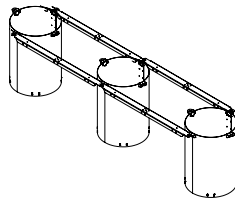
NT-DOL-500-425X3
suits - 3600 x 1200mm



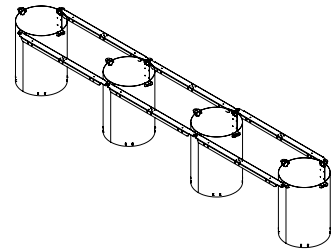
NT-DOL-500-425X4
suits - 4800 x 1200mm



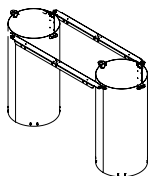
NT-DOL-500-715X2
suits - 2400 x 1200mm



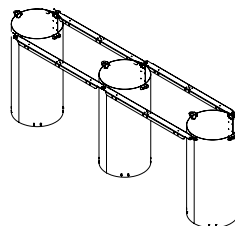
NT-DOL-500-715X3
suits - 3600 x 1200mm



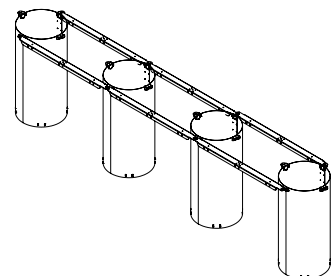
NT-DOL-500-715X4
suits - 4800 x 1200mm



NT-DOL-500-875X2
suits - 2400 x 1200mm



NT-DOL-500-875X3
suits - 3600 x 1200mm



NT-DOL-500-875X4
suits - 4800 x 1200mm

Materials + Finishes:

- Mild steel
- Nylon glides
- Zinc Prime
- Dulux Duralloy powdercoat

Options:

- Can be floor mounted
- Rail system for larger tables M5
- Adjustable glides M8 included
- 40mm soft wire plug access

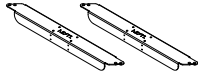
Warranty:

- 2 years structural

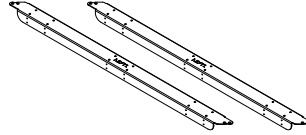
Country of Origin:

- Australia

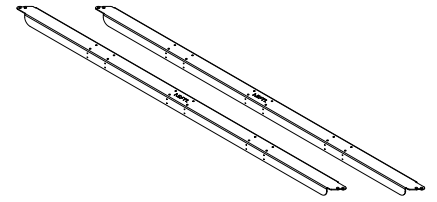
Drum Table Hardware



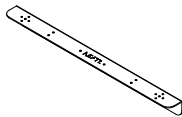
NT-DOL- R1
RAILS - SMALL PAIR
(MAX 600MM)



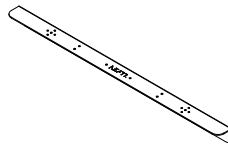
NT-DOL- R2
RAILS - MEDIUM PAIR
(MAX 1200MM)



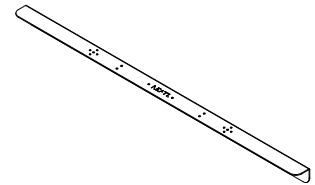
NT-DOL- R3
RAILS - LARGE PAIR
(MAX 1800MM)



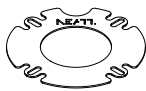
NT-DOL- WL-700
WALL MOUNTING RAIL
(700MM WIDE)



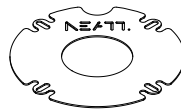
NT-DOL- WL-900
WALL MOUNTING RAIL
(900MM WIDE)



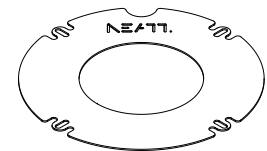
NT-DOL- WL-1200
WALL MOUNTING RAIL
(1200MM WIDE)



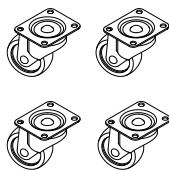
NT-DOL- WPT-400
WEIGHT PLATE
(TO SUIT 400MM DIAMETER BASE)



NT-DOL- WPT-500
WEIGHT PLATE
(TO SUIT 500MM DIAMETER BASE)



NT-DOL- WPT-700
WEIGHT PLATE
(TO SUIT 700MM DIAMETER)



NT-ARC-CASTOR
4 SET OF CASTORS
(TO SUIT ALL DRUM BASES)

Materials + Finishes:

- Mild steel
- Nylon glides
- Zinc Prime
- Dulux Duralloy powdercoat

Options:

- Can be floor mounted
- Rail system for larger tables M5
- Adjustable glides M8 included
- 40mm soft wire plug access

Warranty:

- 2 years structural

Country of Origin:

- Australia