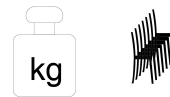
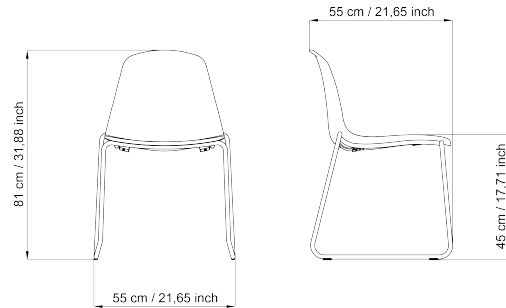


EPOCA

Design Stefano Getzel

article: EP3
code: 4EPFN134



5 Stackable



Warranty: 5 years

DESCRIPTION

Chair in polypropylene, black painted cantilever structure.

FINISHING: white, black, gray, green, dove-gray and lobster pink.

SEAT/BACKREST: polypropylene shell polished finishing on the back and embossed with anti-slip treatment on the front.

STRUCTURE: cantilever high resistant steel base, Ø 16 mm, black painted.

MAINTENANCE

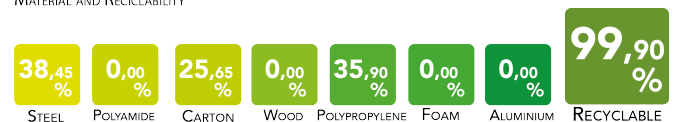
CHROME PLATED PARTS: Clean with a soft cloth with some neutral detergent to polish the steel.

PAINTED PARTS: Clean with soft cloth dampened slightly with water and dry with a dry cloth.

PLASTIC PARTS: Use soft cloth dampened slightly with water, without insistence, then dry with a dry cloth.

ALUMINIUM PARTS: To clean use only specific products to polish metal parts in order to reduce the natural oxidation due to the hands contact. The aluminum parts tarnish naturally. LUXY recommends not using chemical detergents.

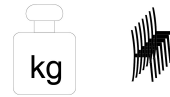
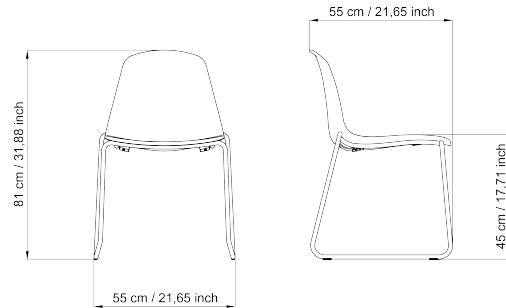
MATERIAL AND RECYCLABILITY



EPOCA

Design Stefano Getzel

article: EP3
code: 4EPFC138



5 Stackable



Warranty: 5 years

DESCRIPTION

Chair in polypropylene, chromed cantilever structure.

FINISHING: white, black, gray, green, dove-gray and lobster pink.

SEAT/BACKREST: polypropylene shell polished finishing on the back and embossed with anti-slip treatment on the front.

STRUCTURE: cantilever high resistant steel base, Ø 16 mm, chromed finishing.

MAINTENANCE

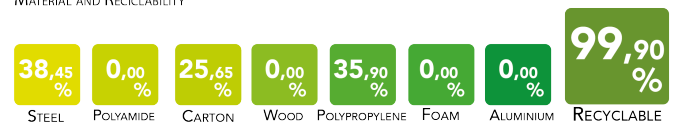
CHROME PLATED PARTS: Clean with a soft cloth with some neutral detergent to polish the steel.

PAINTED PARTS: Clean with soft cloth dampened slightly with water and dry with a dry cloth.

PLASTIC PARTS: Use soft cloth dampened slightly with water, without insistence, then dry with a dry cloth.

ALUMINIUM PARTS: To clean use only specific products to polish metal parts in order to reduce the natural oxidation due to the hands contact. The aluminum parts tarnish naturally. LUXY recommends not using chemical detergents.

MATERIAL AND RECYCLABILITY

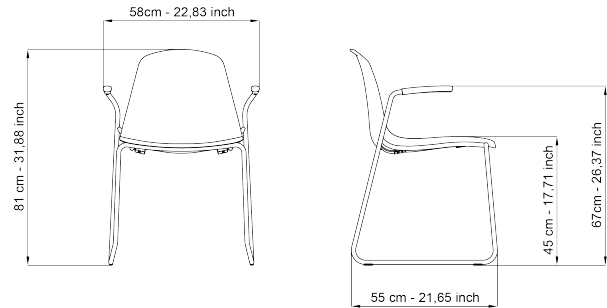


EPOCA

Design Stefano Getzel

article: EP3B

code: 4EPFN200



5,5 Stackable



Warranty: 5 years

DESCRIPTION

Chair in polypropylene, black painted cantilever structure with armrests.

FINISHING: white, black, gray, green, dove-gray and lobster pink.

SEAT/BACKREST: polypropylene shell polished finishing on the back and embossed with anti-slip treatment on the front.

STRUCTURE: cantilever high resistant steel base, Ø 16 mm, black painted.

MAINTENANCE

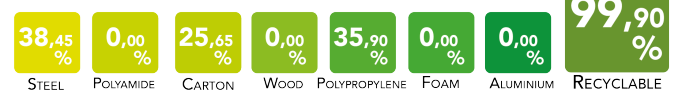
CHROME PLATED PARTS: Clean with a soft cloth with some neutral detergent to polish the steel.

PAINTED PARTS: Clean with soft cloth dampened slightly with water and dry with a dry cloth.

PLASTIC PARTS: Use soft cloth dampened slightly with water, without insistance, then dry with a dry cloth.

ALUMINIUM PARTS: To clean use only specific products to polish metal parts in order to reduce the natural oxidation due to the hands contact. The aluminum parts tarnish naturally. LUXY recommends not using chemical detergents.

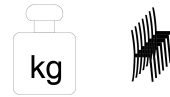
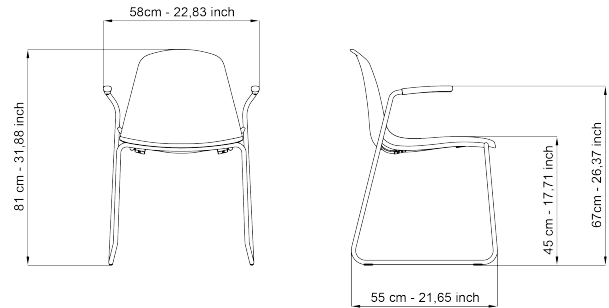
MATERIAL AND RECYCLABILITY



EPOCA

Design Stefano Getzel

article: EP3B
code: 4EPFC204



5,5 Stackable



Warranty: 5 years

DESCRIPTION

Chair in polypropylene, chromed cantilever structure with armrests.

FINISHING: white, black, gray, green, dove-gray and lobster pink.

SEAT/BACKREST: polypropylene shell polished finishing on the back and embossed with anti-slip treatment on the front.

STRUCTURE: cantilever high resistant steel base, Ø 16 mm, chromed finishing.

MAINTENANCE

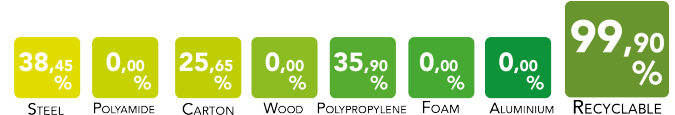
CHROME PLATED PARTS: Clean with a soft cloth with some neutral detergent to polish the steel.

PAINTED PARTS: Clean with soft cloth dampened slightly with water and dry with a dry cloth.

PLASTIC PARTS: Use soft cloth dampened slightly with water, without insistance, then dry with a dry cloth.

ALUMINIUM PARTS: To clean use only specific products to polish metal parts in order to reduce the natural oxidation due to the hands contact. The aluminum parts tarnish naturally. LUXY recommends not using chemical detergents.

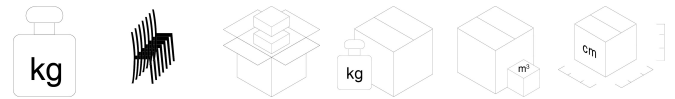
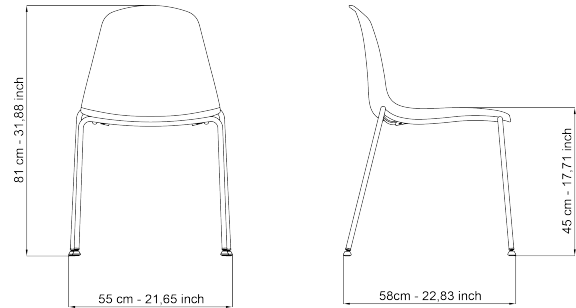
MATERIAL AND RECYCLABILITY



EPOCA

Design Stefano Getzel

article: EP1
code: 4EPFN02



5 Stackable



Warranty: 5 years

DESCRIPTION

Chair in polypropylene, 4 legs, black coated structure.

FINISHING: white, black, gray, green, dove-gray and lobster pink.

SEAT/BACKREST: polypropylene shell polished finishing on the back and embossed with anti-slip treatment on the front.

STRUCTURE: 4 legs in high resistant steel Ø 16 mm with levelling glides, black painted.

MAINTENANCE

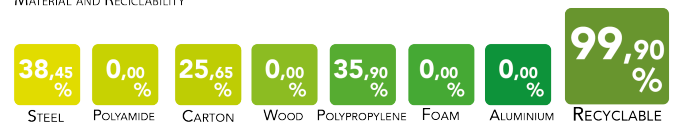
CHROME PLATED PARTS: Clean with a soft cloth with some neutral detergent to polish the steel.

PAINTED PARTS: Clean with soft cloth dampened slightly with water and dry with a dry cloth.

PLASTIC PARTS: Use soft cloth dampened slightly with water, without insistence, then dry with a dry cloth

ALUMINIUM PARTS: To clean use only specific products to polish metal parts in order to reduce the natural oxidation due to the hands contact. The aluminum parts tarnish naturally. LUXY recommends not using chemical detergents.

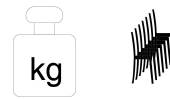
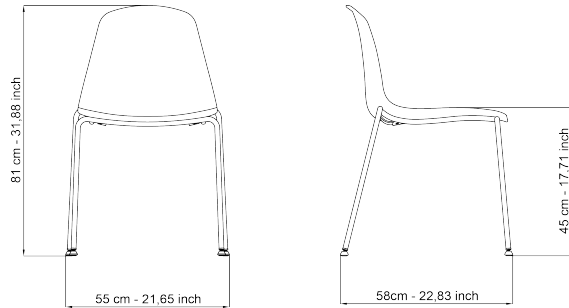
MATERIAL AND RECYCLABILITY



EPOCA

Design Stefano Getzel

article: EP1
code: 4EPFC06



5 Stackable



Warranty: 5 years

DESCRIPTION

Chair in polypropylene, 4 legs, chromed structure.

FINISHING: white, black, gray, green, dove-gray and lobster pink.

SEAT/BACKREST: polypropylene shell polished finishing on the back and embossed with anti-slip treatment on the front.

STRUCTURE: 4 legs in high resistant steel \varnothing 16 mm with levelling glides, chromed structure.

MAINTENANCE

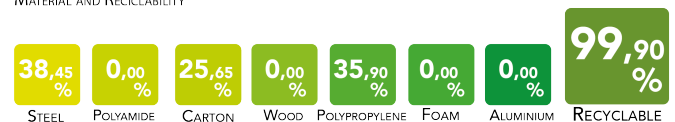
CHROME PLATED PARTS: Clean with a soft cloth with some neutral detergent to polish the steel.

PAINTED PARTS: Clean with soft cloth dampened slightly with water and dry with a dry cloth.

PLASTIC PARTS: Use soft cloth dampened slightly with water, without insistence, then dry with a dry cloth

ALUMINIUM PARTS: To clean use only specific products to polish metal parts in order to reduce the natural oxidation due to the hands contact. The aluminum parts tarnish naturally. LUXY recommends not using chemical detergents.

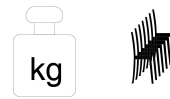
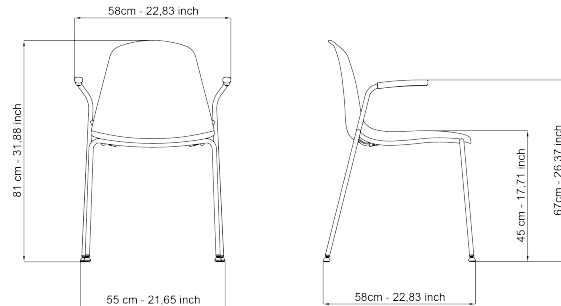
MATERIAL AND RECYCLABILITY



EPOCA

Design Stefano Getzel

article: EP1B
code: 4EPFN68



5,5 Stackable



Warranty: 5 years

DESCRIPTION

Chair in polypropylene, 4 legs, black coated structure with armrests.

FINISHING: white, black, gray, green, dove-gray and lobster pink.

SEAT/BACKREST: polypropylene shell polished finishing on the back and embossed with anti-slip treatment on the front.

STRUCTURE: 4 legs in high resistant steel Ø 16 mm with levelling glides, black painted.

MAINTENANCE

CHROME PLATED PARTS: Clean with a soft cloth with some neutral detergent to polish the steel.

PAINTED PARTS: Clean with soft cloth dampened slightly with water and dry with a dry cloth.

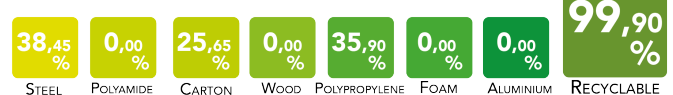
PLASTIC PARTS: Use soft cloth dampened slightly with water, without insistence, then dry with a dry cloth.

ALUMINIUM PARTS: To clean use only specific products to polish metal parts in order to reduce the natural oxidation due to the hands contact. The aluminum parts tarnish naturally. LUXY recommends not using chemical detergents.

FABRIC: Fabric: pour some drops of neutral detergent on a damp and wringed out cloth, rub gently on the seat and leave it dry. See maintenance instructions on LUXY upholstery book. Luxy recommends using ecological products.

LEATHER: Leather is a natural product. Imperfections give to the material its unmistakable aspect. In presence of marks, they have to be removed with a soft wool cloth. In case of ingrained stains, use only products for leather coloured with aniline. Do not expose leather to direct sunlight. Luxy recommends using ecological products.

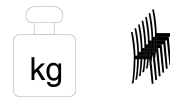
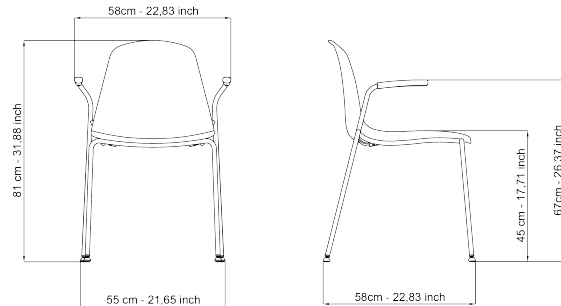
MATERIAL AND RECYCLABILITY



EPOCA

Design Stefano Getzel

article: EP1B
code: 4EPFC72



5,5 Stackable



Warranty: 5 years

DESCRIPTION

Chair in polypropylene, 4 legs, chromed structure with armrests.

FINISHING: white, black, gray, green, dove-gray and lobster pink.

SEAT/BACKREST: polypropylene shell polished finishing on the back and embossed with anti-slip treatment on the front.

STRUCTURE: 4 legs in high resistant steel \varnothing 16 mm with levelling glides, chromed structure.

MAINTENANCE

CHROME PLATED PARTS: Clean with a soft cloth with some neutral detergent to polish the steel.

PAINTED PARTS: Clean with soft cloth dampened slightly with water and dry with a dry cloth.

PLASTIC PARTS: Use soft cloth dampened slightly with water, without insistence, then dry with a dry cloth.

ALUMINIUM PARTS: To clean use only specific products to polish metal parts in order to reduce the natural oxidation due to the hands contact. The aluminum parts tarnish naturally. LUXY recommends not using chemical detergents.

FABRIC: Fabric: pour some drops of neutral detergent on a damp and wringed out cloth, rub gently on the seat and leave it dry. See maintenance instructions on LUXY upholstery book. Luxy recommends using ecological products.

LEATHER: Leather is a natural product. Imperfections give to the material its unmistakable aspect. In presence of marks, they have to be removed with a soft wool cloth. In case of ingrained stains, use only products for leather coloured with aniline. Do not expose leather to direct sunlight. Luxy recommends using ecological products.

MATERIAL AND RECYCLABILITY

