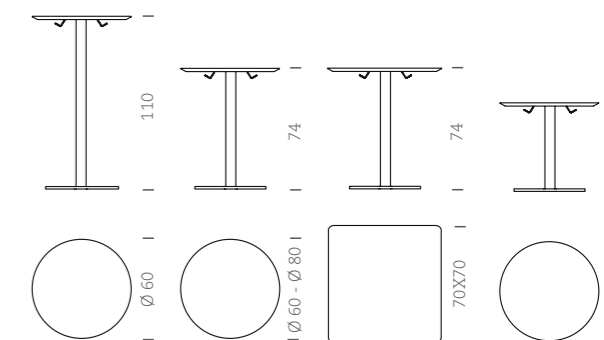


OXI bistrot

JM Massana - JM Tremoleda



Structure
RAL 9004
Black

Structure
RAL 9002
White

Melamine - HPL Top
RAL 9004
Black

Melamine - HPL Top
RAL 9002
White

Melamine Top
Oak

ENG Table with cross shaped central base. It can be combined with lots of different chairs, as a result of its plain design. OXI bistrot table is available in two high versions, matching chairs or bar stools. This table has been specially designed for use in food service and hospitality industry, suitable both indoors and outside (terraces, gardens).

ESP Mesa de pie central con base en forma de cruz de líneas discretas. Su apariencia sencilla la hace idónea para combinar con distintas sillas. La mesa OXI bistrot tiene dos versiones de altura, para sillas o taburetes. Una mesa diseñada especialmente para la hostelería y la restauración, tanto para interior como para exterior; apta también para jardines, terrazas, etc.

CAT Taula de peu central en forma de creu de línies discretes. La seva aparença senzilla permet combinar-la amb multitud de cadires diferents. La taula OXI bistrot té dos versions d'alçada, per a cadires o tamborets. Una taula especialment dissenyada per a l'hoteleria i la restauració ja sigui interior o exterior; apta també per a jardins i terrasses.

FRA Table d'un pied en forme de croix de lignes discrètes. Son apparence simple permet de la combiner avec une multitude de chaises différentes. La table OXI bistrot avec deux hauteurs différentes pour des chaises ou tabourets. Une table spécialement conçue pour l'horeca, pour l'intérieur et l'extérieur. il existe également une version adapté aux jardins et terrasses.

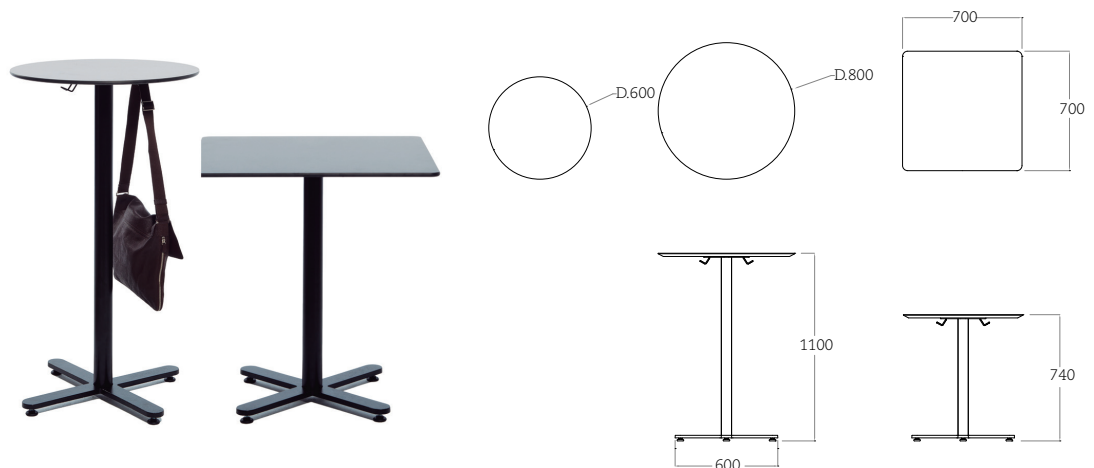
General description

Side table with central foot.

Available in two heights, 74 and 110cm, and 3 different sizes: squared 70x70cm, circular 60cm and 80cm diameter.

Base and foot finished with epoxy powder coating, white colour (RAL 9002) or black (RAL 9004), 30% matt.

Surface made of either white or black HPL, or MDF veneered with simile wood melamine, black or white, and edges varnished with natural shade.



Base and foot

Cross-shaped base, 60x60cm and 1,5cm height, made of die-cast iron.

Adjustable threads made of black polyamide, 4cm diameter, are screwed at each end of the cross. The central column is placed at the centre of the base; it is made of steel tube, 6cm diameter and 1,5mm thick. Two different heights: 68 and 99cm.

A laser-cut plate, 4mm thick, is welded to each end of the tube through 3 holes in order to fix the tube both to the base and the capital. A welded axle allows its correct position.

Capital

Component made of laser-cut steel plate, 5mm thick, with different holes to fix the tube and the table surface.

It has 2 rod hooks, 5mm thick, used to hang bags.

Surface

Component made of HPL, 13mm thick and rounded edge, or made of MDF with melamine, 19mm thick, with mechanized and veneered edge.

The bottom side is mechanized in order to fix the capital with wood screws.

Packaging

Box with base and capital
Weight: 6,5kg
Dimensions: 48x49x12cm

Box with tube
Weight 74cm: 1,8kg
Dimensions 74cm: 13,5x13,5x77cm
Weight 110cm: 2,6kg
Dimensions 110cm: 13,5x13,5x116cm

Box with surface
Weight: 4kg
Dimensions 60cm: 69x69x6,5cm
Dimensions 70cm: 79x79x6,5cm
Dimensions 80cm: 89x89x6,5cm

Certifications

HPL: EN 438
Melamine EGGER: PEFC (certificado HFA-COC-183) y FSC® (certificados HFA-COC-100017 i HFA-CW-100017).
Pinted epoxy: ISO 9001:2000 / ISO 14001:2004