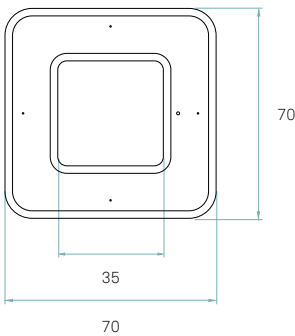
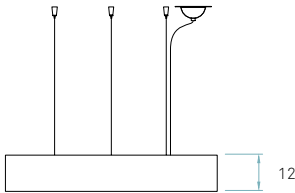


Fluorescent Cuad

by Burkhard Dämmer



REF. CUAD SM 21
Cuad



References

- CUAD SM
- CUAD SM DIM
- CUAD SM DIMRC

Certificates

- CE
- Class I
- 220 - 250V
- FSC
www.fsc.org
FSC® C110841
The mark of responsible forestry

Wood shade colours

- 20 Ivory White
- 21 Natural Cherry
- 22 Natural Beech
- 24 Yellow
- 25 Orange
- 26 Red
- 28 Blue
- 29 Grey
- 30 Turquoise
- 31 Chocolate
- 32 Pink

Components

- DIFF**
Black or White
- Note: The standard top diffuser is white. Black is also available if you want no upward light diffusion.
- Bottom diffuser**
Matt satin acrylic

- Metal canopy**
Brushed Nickel
ø 10 cm - disc ø 14 cm
- Electrical cable**
Transparent 2 m drop
- Steel cable**
4 x 2 m drop

Packaging

- Box size**
88 x 88 x 29 cm
- Box volume**
0,225 m³
- Weight**
Gross - 11,7 Kg
Net - 6,3 Kg

- T5**
Linear Fluorescent
4 x 24 W
(included)
- Energy class**
 Tube included

- Ballast**
- TRIDONIC
1 unit - Ref. 22185212
- TRIDONIC
2 units - Ref. 22185104
- BAG
2 units - Ref. 10097296
+ Remote Control - DANLERS

Details

Input Voltage	Luminous Flux *	CRI	Watt.	Total Watt.	CCT	Lifetime (L70)
220 - 250V	4253 lm	85	4 x 24 W	96 W	3000 K	30000h

* Measurements taken using white shades, Veneer Ref: 20 Ivory White

References

CUAD SM LED DIM0-10V

CUAD SM LED DIMBT

Certificates



Class I

Dimmable:
120 - 277V

Bluetooth Dimming:
220 - 240V



Wood shade colours

- 20 Ivory White
- 21 Natural Cherry
- 22 Natural Beech
- 24 Yellow
- 25 Orange
- 26 Red
- 28 Blue
- 29 Grey
- 30 Turquoise
- 31 Chocolate
- 32 Pink



REF. CUAD SM LED 21
Cuad

Components



Top diffuser
Black or White

Note: The standard top diffuser is white. Black is also available if you want no upward light diffusion.

Bottom diffuser
Matt satin acrylic



Metal canopy
Brushed Nickel
34 x 11,5 x 5 cm

Electrical cable
Transparent 2 m drop



Steel cable
4 x 2 m drop



Box size
88 x 88 x 34 cm

Box volume
0,263 m³

Weight
Gross - 13 Kg
Net - 7,5 Kg



LED

Linear Module
8 x 5,5 W 350mA

Energy class

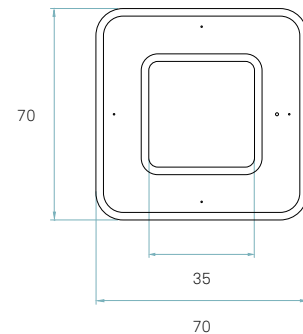
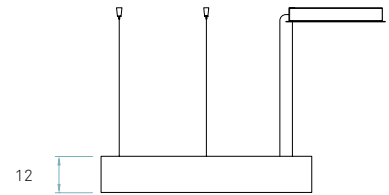
A+
LED integrated

Driver

EFORE
1 unit - Ref. RCL050-1400B

EFORE
1 unit - Ref. RCL050-1400B
+
Bluetooth Control - CASAMBI / ELT
1 unit - Ref. CBU - ASD

Driver housed in canopy.



Details

Input Voltage	Luminous Flux *	CRI	Watt.	CCT	Lifetime (L70)
120 - 277V	3687 lm	90	50 W	3000 K	40000h
220 - 240V					

* Measurements taken using white shades, Veneer Ref: 20 Ivory White