

MASAI



arper

Masai

With its clean lines, rigorous geometry, and soft, welcoming seat, Masai makes a statement in both the dining room and the boardroom. Masai is available as armchair, upholstered in a range of leather and fabrics. Base options include: four-legs covered in matching leather or fabric, aluminum trestle base with and without castors, aluminum five-way base with tilting and lift mechanisms, with and without castors. The Masai Collection is GreenGuard certified.

arper



Designer

Lievore Altherr Molina, 2001

Lievore Altherr Molina was founded by Alberto Lievore, Jeannette Altherr and Manel Molina in 1990. Their humanist design approach is informed by the fundamental desire for pure, beautiful forms derived from the constraints of function, technology and context. Distinguished by a multi-disciplinary method that engages furniture, interior, product, and package design, their work has been globally exhibited and acknowledged. They are the recipients the prestigious National Design Award (1999) in Spain where they practice and teach extensively.

Applications

- Home
- Restaurant
- Board room
- Lounge
- Waiting room

Masai



arper



1

**1 Private residence
Mallorca, Spain
Art. 0406**

**2 Eneco, Rotterdam,
The Netherlands
Art. 0408**

**3 Adidas Group
Amsterdam, The
Netherlands
Art. 0402
Art. 0251 Catifa 46**



2



3

1



2



**1 Ansarada Office
Sydney, Australia
Art. 0406**

**2 Stedin
Rotterdam, The
Netherlands
Art. 0403**

**3 Manicomio Restaurant,
London, UK
Art. 0404**



3

Type

Masai



1



2



3



4



5

Chair

- 1 4 legs
- 2 Trestle swivel
- 3 Trestle fixed
- 4 5 ways aluminum
- 5 5 ways aluminum

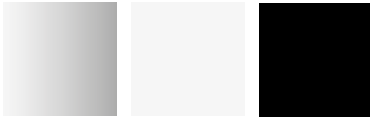
Shells



1

- 1 Upholstered, with armrests and cover in fabric, leather or faux leather

Finishes



LU1

V12

V39

- LU1 – Polished aluminum
- V12 – Matt White powder-coated
- V39 – Matt Black powder-coated

arper

Options and accessories



1

- 1 Easy tilt mechanism

Masai

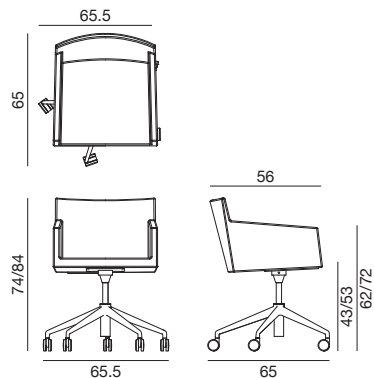
Design by Lievore Altherr Molina, 2001

Art. 0406

Armchair with polished aluminium five-star trestle base, fitted with gas height adjustment mechanism. The polyethylene shell is upholstered in leather, faux leather, fabric or customer's material.



Dimensions *



* File CAD 2D - 3D available for download at www.arper.com

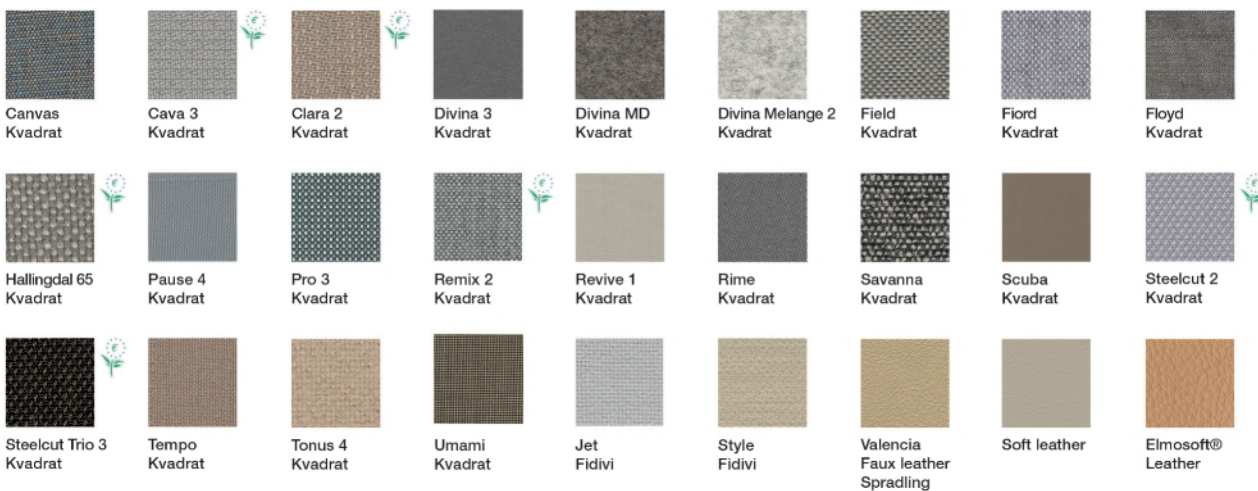
Frame Base



LU1

Shell

Carded In



Graded In

kvadrat

camira



DESIGN
TEX



Gabriel



svensson

maharam


Serge Ferrari

Masai

Design by Lievore Altherr Molina, 2001

SHIPMENT DETAILS

Art.0406

1 pz = 1  - kg 21,1/ m² 0,35

TECHNICAL SPECIFICATIONS

Art.0406

COL requirement m² 2.57

H 140 cm. COM Meterage ml 1.65

Soft leather: standard ochre stitching. Other colours available upon request.

RESISTANCE TEST

FIRE RETARDANT TEST

BS5852 i.s. 5 Soft leather Elmosoft Pro 3 Tonus 4 • California TB117-2013 Cava 3 Clara Canvas Divina MD Divina Melange 2 Divina 3 Soft leather Elmosoft Field Hallingdal 65 Jet Jumper 3 Pro 3 Soft leather Pause 4 Remix 2 Savanna Steelcut 2 Scuba Steelcut Trio 2 Steelcut Trio 3 Sunniva Sunniva 2 Tonus 4 Tempo Faux leather Valencia • BS5852 Sch. 4 Part 1 Soft leather Elmosoft Pro 3 Soft leather Tonus 4 • BS5852 Sch. 5 Part 1 Cava 3 Clara Canvas Divina MD Divina 3 Soft leather Elmosoft Hallingdal 65 Soft leather Remix 2 Savanna Steelcut 2 Steelcut Trio 2 Steelcut Trio 3 Tonus 4 Faux leather Valencia • EN 1021 - 1 Divina Melange 2 Soft leather Elmosoft Pro 3 • EN 1021 - 2 Divina Melange 2 Soft leather Elmosoft Pro 3

ENVIRONMENTAL CERTIFICATIONS



arper

F +39 0422 791800

T +39 0422 7918

www.arper.com

Masai

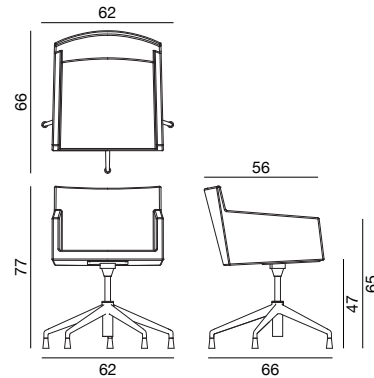
Design by Lievore Altherr Molina, 2001

Art. 0408

Armchair with polished aluminium five-star trestle base, fitted with return mechanism. The polyethylene shell is upholstered in leather, faux leather, fabric or customer's material.



Dimensions *



* File CAD 2D - 3D available for download at www.arper.com

Frame Base



LU1

Shell

Carded In



Canvas Kvadrat



Cava 3 Kvadrat



Clara 2 Kvadrat



Divina 3 Kvadrat



Divina MD Kvadrat



Divina Melange 2 Kvadrat



Field Kvadrat



Fiord Kvadrat



Floyd Kvadrat



Hallingdal 65 Kvadrat



Pause 4 Kvadrat



Pro 3 Kvadrat



Remix 2 Kvadrat



Revive 1 Kvadrat



Rime Kvadrat



Savanna Kvadrat



Scuba Kvadrat



Steelcut 2 Kvadrat



Steelcut Trio 3 Kvadrat



Tempo Kvadrat



Tonus 4 Kvadrat



Umami Kvadrat



Jet Fidivi



Style Fidivi



Valencia Faux leather Spradling



Soft leather



Elmosoft® Leather

Graded In

kvadrat

camira



DESIGN
TEX



Gabriel



svensson

maharam


Serge Ferrari

Masai

Design by Lievore Altherr Molina, 2001

SHIPMENT DETAILS

Art.0408

1 pz = 1  - kg 21,1/ m² 0,35

TECHNICAL SPECIFICATIONS

Art.0408

COL requirement m² 2.57

H 140 cm. COM Meterage ml 1.65

Soft leather: standard ochre stitching. Other colours available upon request.

RESISTANCE TEST

FIRE RETARDANT TEST

BS5852 i.s. 5 Soft leather Elmosoft Pro 3 Tonus 4 • California TB117-2013 Cava 3 Clara Canvas Divina MD Divina Melange 2 Divina 3 Soft leather Elmosoft Field Hallingdal 65 Jet Jumper 3 Pro 3 Soft leather Pause 4 Remix 2 Savanna Steelcut 2 Scuba Steelcut Trio 2 Steelcut Trio 3 Sunniva Sunniva 2 Tonus 4 Tempo Faux leather Valencia • BS5852 Sch. 4 Part 1 Soft leather Elmosoft Pro 3 Soft leather Tonus 4 • BS5852 Sch. 5 Part 1 Cava 3 Clara Canvas Divina MD Divina 3 Soft leather Elmosoft Hallingdal 65 Soft leather Remix 2 Savanna Steelcut 2 Steelcut Trio 2 Steelcut Trio 3 Tonus 4 Faux leather Valencia • EN 1021 - 1 Divina Melange 2 Soft leather Elmosoft Pro 3 • EN 1021 - 2 Divina Melange 2 Soft leather Elmosoft Pro 3

ENVIRONMENTAL CERTIFICATIONS



arper

F +39 0422 791800

T +39 0422 7918

www.arper.com

Masai

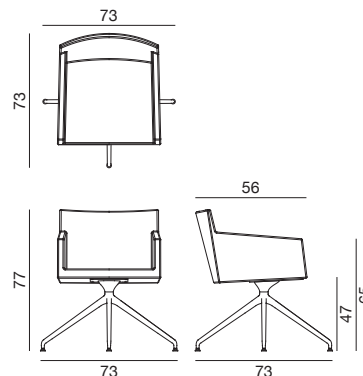
Design by Lievore Altherr Molina, 2001

Art. 0410

Armchair with polished or powdercoated aluminum pedestal base. Polyethylene shell upholstered in leather, faux leather, fabric or customer's material.



Dimensions *



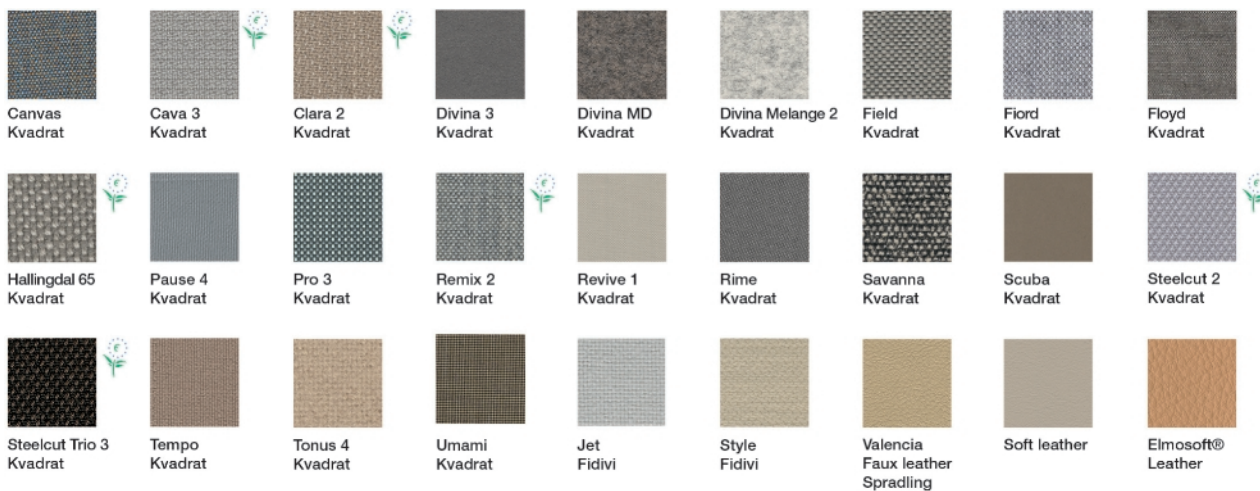
* File CAD 2D - 3D available for download at www.arper.com

Frame Base



Shell

Carded In



Graded In

kvadrat

camira



DESIGN
TEX



Gabriel



svensson

maharam

Serge Ferrari

Masai

Design by Lievore Altherr Molina, 2001


Accessories:



Set of glides Art. 2015

SHIPMENT DETAILS

Art.0410

1 pz = 1  - kg 18,1/ m³ 0,35

RESISTANCE TEST

- EN 1728:2000 - EN 15373:2007 6.15
- EN 1728:2000 - EN 15373:2007 6.2.1
- EN 1728:2000 - EN 15373:2007 6.7
- EN 1335-3:2009 7.1
- EN 1728:2000 - EN 15373:2007 6.16
- EN 1728:2000 - EN 15373:2007 6.2.2
- EN 1728:2000 - EN 15373:2007 6.8

TECHNICAL SPECIFICATIONS

Art.0410

COL requirement m² 2.57
H 140 cm. COM Meterage ml 1.65
Soft leather: standard ochre stitching. Other colours available upon request.

FIRE RETARDANT TEST

BS5852 i.s. 5 Soft leather Elmosoft Pro 3 Tonus 4 • California TB117-2013 Cava 3 Clara Canvas Divina MD Divina Melange 2 Divina 3 Soft leather Elmosoft Field Hallingdal 65 Jet Jumper 3 Pro 3 Soft leather Pause 4 Remix 2 Savanna Steelcut 2 Scuba Steelcut Trio 2 Steelcut Trio 3 Sunniva Sunniva 2 Tonus 4 Tempo Faux leather Valencia • BS5852 Sch. 4 Part 1 Soft leather Elmosoft Pro 3 Soft leather Tonus 4 • BS5852 Sch. 5 Part 1 Cava 3 Clara Canvas Divina MD Divina 3 Soft leather Elmosoft Hallingdal 65 Soft leather Remix 2 Savanna Steelcut 2 Steelcut Trio 2 Steelcut Trio 3 Tonus 4 Faux leather Valencia • EN 1021 - 1 Divina Melange 2 Soft leather Elmosoft Pro 3 • EN 1021 - 2 Divina Melange 2 Soft leather Elmosoft Pro 3

ENVIRONMENTAL CERTIFICATIONS



arper

F +39 0422 791800

T +39 0422 7918

www.arper.com

Masai

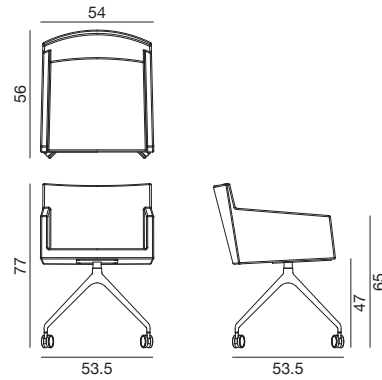
Design by Lievore Altherr Molina, 2001

Art. 0412

Armchair with polished or powdercoated aluminium pedestal base, mounted on selfbraking castors. The polyethylene shell is upholstered in leather, faux leather, fabric or customer's material.

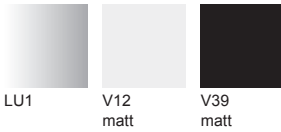


Dimensions *



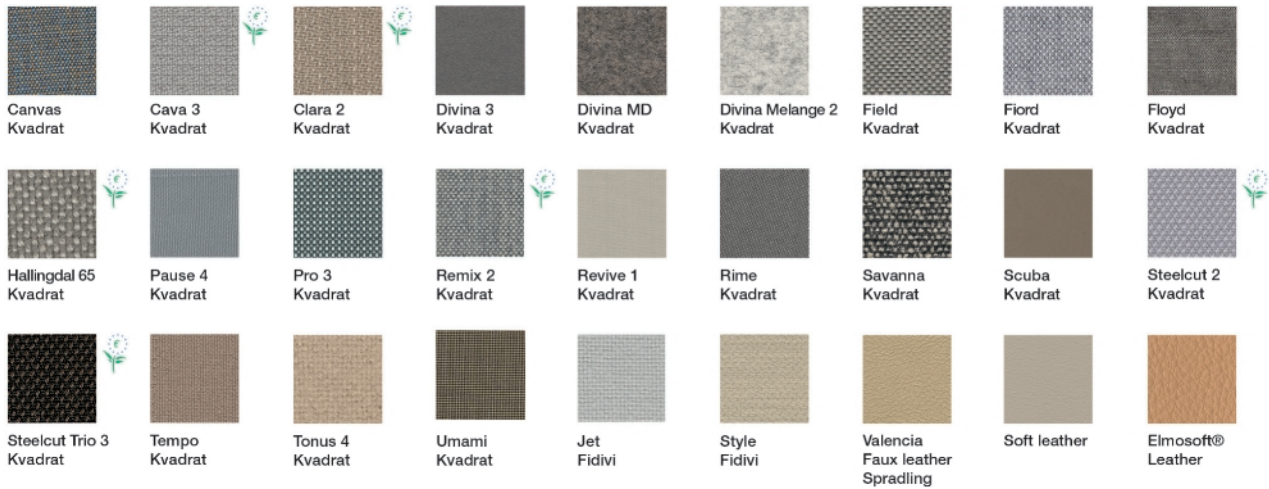
* File CAD 2D - 3D available for download at www.arper.com

Frame Base



Shell

Carded In



Graded In

kvadrat

camira



DESIGN
TEX



Gabriel



svensson

maharam


Serge Ferrari

Masai

Design by Lievore Altherr Molina, 2001

SHIPMENT DETAILS

Art.0412

1 pz = 1  - kg 18,2/ m² 0,35

TECHNICAL SPECIFICATIONS

Art.0412

COL requirement m² 2.57

H 140 cm. COM Meterage ml 1.65

Soft leather: standard ochre stitching. Other colours available upon request.

RESISTANCE TEST

FIRE RETARDANT TEST

BS5852 i.s. 5 Soft leather Elmosoft Pro 3 Tonus 4 • California TB117-2013 Cava 3 Clara Canvas Divina MD Divina Melange 2 Divina 3 Soft leather Elmosoft Field Hallingdal 65 Jet Jumper 3 Pro 3 Soft leather Pause 4 Remix 2 Savanna Steelcut 2 Scuba Steelcut Trio 2 Steelcut Trio 3 Sunniva Sunniva 2 Tonus 4 Tempo Faux leather Valencia • BS5852 Sch. 4 Part 1 Soft leather Elmosoft Pro 3 Soft leather Tonus 4 • BS5852 Sch. 5 Part 1 Cava 3 Clara Canvas Divina MD Divina 3 Soft leather Elmosoft Hallingdal 65 Soft leather Remix 2 Savanna Steelcut 2 Steelcut Trio 2 Steelcut Trio 3 Tonus 4 Faux leather Valencia • EN 1021 - 1 Divina Melange 2 Soft leather Elmosoft Pro 3 • EN 1021 - 2 Divina Melange 2 Soft leather Elmosoft Pro 3

ENVIRONMENTAL CERTIFICATIONS



arper

F +39 0422 791800

T +39 0422 7918

www.arper.com

Carded In

Flexibility and versatility are values which we express through a broad range of customization options made available at the design stage. Each product collection can be upholstered with any of the finishes included in our catalog: an extensive choice of different solutions that can be adapted to the needs of any project. We provide samples, tests and certifications, to support our customers throughout the decision process.

kvadrat

Availability: Worldwide
www.kvadrat.dk



Availability: Worldwide
www.fidivi.com



Availability: USA
www.ultrafabricsllc.com



Availability: Worldwide
www.elmoleather.com



Availability: Worldwide
www.spradling.eu

maharam

Availability: USA
www.maharam.com

Soft leather

Availability: Worldwide

Leather Fine

Availability: Worldwide

Leather Keen

Availability: Worldwide

Graded In

The customization options become virtually limitless thanks to the collaboration of internationally renowned partners. Each product collection available in our catalog can now be upholstered with any of the selected upholsteries offered by the manufacturers who have included their fabric and leather products in our collections. Nearly 100 upholstery collections available make countless combinations possible in terms of fabrics, colors, technical specifications and prices.

kvadrat

Availability: Worldwide
www.kvadrat.dk

Gabriel

Availability: Worldwide
www.gabriel.dk

svensson

Availability: Worldwide
www.ludvigsvensson.com

Serge Ferrari

Availability: Worldwide
www.en.sergeferrari.com

camira

Availability: Worldwide
www.camirafabrics.com

maharam

Availability: USA
www.maharam.com



Availability: Worldwide
www.winter-creation.com



Availability: Worldwide
www.fidivi.com

**DESIGN
TEX**

Availability: USA
www.designtex.com



Availability: Worldwide
www.spradling.eu

Environmental product certification



PRODUCT CERTIFIED
FOR LOW CHEMICAL
EMISSIONS:
UL.COM/GG
UL 2818

Italy

Arper SPA
Via Lombardia 16
31050 Monastier di Treviso (TV)
Italia
T +39 0422 7918
F +39 0422 791800
info@arper.com
www.arper.com

Commerciale Italia
T +39 0422 791905
F +39 0422 791900
commerciale@arper.com

Export Office
T +39 0422 791902 / 4 / 6 / 7 / 8 / 9 / 16 / 17 / 27
F +39 0422 791900
sales@arper.com

Subsidiaries and Branches

USA

Arper USA Inc.
476 Broadway, Suite 2F
NY 10013 New York
USA
T +1 (212) 647 8900
infousa@arper.com

UK

Arper UK LTD
London — UK
11 Clerkenwell Road
London EC1M 5PA
T +44 (0) 20 7253 0009
london@arper.com

Japan

Arper Japan K.K.
HT Jingu Gaien Bldg.8F
Minato-ku Kita-Aoyama 2-7-22
Tokyo 107-0061
Japan
T +81 (0)3 5775 0008
F +81 (0)3 5775 0009
carejpn@arper.com

UAE

Arper Middle East
U-Bora Towers - Unit 1901
Business Bay
Dubai
United Arab Emirates
T +971 509144800
infome@arper.com

Sweden

Stockholm — Sweden
Banérgatan 10
Stockholm
T +46 733 101112
sweden@arper.com

Showrooms

Amsterdam — The Netherlands
Design Post
Cruquiusweg 111-T
1019 AG Amsterdam
T +31 (0)20 7051555
showroom@beltane.nl

Chicago — USA
The Merchandise Mart
Space#339 - 3rd Floor
Chicago
USA
T +1 (212) 647 8900 x1
infousa@arper.com

Cologne — Germany
Design Post Köln
Deutz-Mülheimer-Str. 22a
50679 Cologne
T +49 221 690 650
info@designpost.de

Dubai — UAE
U-Bora Towers - Unit 1901
Business Bay
Dubai
T +971 509144800
infome@arper.com

London — UK
11 Clerkenwell Road
London EC1M 5PA
T +44 (0) 20 7253 0009
london@arper.com

Milan — Italy
Via Pantano 30
20122 Milan
T +39 02 89093865
milano@arper.com

Monastier — Italy
Via Lombardia 16
31050 Monastier di Treviso (TV)
Italia
T +39 0422 7918
F +39 0422 791800
info@arper.com

New York — USA
476 Broadway, Suite 2F
NY 10013 New York
T +1 (212) 647 8900
infousa@arper.com

Oslo — Norway
Drammensveien 130
0277 Oslo
T +47 930 59 226
cj@nextlevel-design.com

Stockholm — Sweden
Banérgatan 10
Stockholm
T +46 733 101112
sweden@arper.com

Tokyo — Japan
HT Jingu Gaien Bldg.8F
Minato-ku Kita-Aoyama 2-7-22
Tokyo 107-0061
T +81 (0)3 5775 0008
carejpn@arper.com

Meeting Hubs

Belgium

Sint-Jorisstraat 82,
8730 Beernem
Belgium
T + 32 50 705960
belgium@arper.com

Germany

Fruchthof München
2. Innenhof, 2. Etage
Gotzinger Straße 52b
D-81371 München
Germany
T +49 172 89914 4
info@essenko.de