

# KINESIT

---



arper

# Kinesit

Introducing Kinesit, Arper's first office chair that is one hundred-percent compliant with regulatory requirements. Light and minimal in design. The chair features a built-in mechanism hidden discreetly under the seat that provides synchronized movement and seat height command. An invisible, adjustable lumbar support is concealed within the backrest's thin frame to give additional flexibility and comfort. Kinesit offers fixed or adjustable armrests and it is customizable with all fabric collections in Arper's catalogue. Kinesit Chair is available in three seatback heights and a range of bases, and with or without arm rests for a range of possibilities. The armrests are fixed or adjustable in 2D. A wide selection of upholstery fabrics and leathers in Arper's full range of colors, textures and tones, or in the standard mesh covering, make Kinesit Chair customizable to diverse design applications and interior spaces.

arper



## Designer

Lievore Altherr Molina, 2014

Lievore Altherr Molina was founded by Alberto Lievore, Jeannette Altherr and Manel Molina in 1990. Their humanist design approach is informed by the fundamental desire for pure, beautiful forms derived from the constraints of function, technology and context. Distinguished by a multi-disciplinary method that engages furniture, interior, product, and package design, their work has been globally exhibited and acknowledged. They are the recipients the prestigious National Design Award (1999) in Spain where they practice and teach extensively.

## Applications

- Home
- Campus
- Library
- Office
- Board room

## Certifications

- ANSI/BIFMA X5.1 Office Chairs – Type I – Tilting Chair
- EN 1335
- ErgoCert - ERGONOMICS CERTIFIED (4805 - 4811 - 4817 - 4823 - 4829 - 4835 - 4841)

## Awards

- AIT, Innovationspreis Architektur+ Office, Besondere Auszeichnung, Germany, 2014
- iF Gold Award 2015, Germany 2015
- AZURE Magazine AZ Awards, Canada, 2015

# Kinesit

arper





1



2



3



4

**1 Arper Showroom  
New York, USA  
Art. 4829  
Art. 5000 Cross  
Art. 5100, 5102 Parentesit**

**2 Arper Showroom  
New York, USA  
Art. 4829, 4817  
Art. 0815, Nuur  
Art. 5100, 5102 Parentesit**

**3 Arper Showroom  
New York, USA  
Art. 4817  
Art. 0815 Nuur**

**4 Arper Showroom  
New York, USA  
Art. 4829  
Art. 0815 Nuur**



arper

1

2

1 Workspace  
Art. 4829

2 Art. 4829





1

- 1 Home Office**  
Art. 4807
- 2 Workspace**  
Art. 4811  
Art. 5100, 5102 Parentesit
- 3 Home Office**  
Art. 4807  
Art. 0802 Nuur

arper

2



3



# Kinesit

**A Self-Tensioning Weight Response Mechanism – developed in cooperation with Donati Spa, a true expert in the sector – and adjustable chair commands are hidden in the seat, replacing the need for visible mechanisms**

- 1 When the backrest is reclined, the seat breathes upwards to 15 mm with a synchronized movement.
- 2 A fixed or adjustable in 2D armrest provides ergonomic stability.
- 3 18 degrees of backrest recline ensuring a continuous movement, and 3-position recline.
- 4 Intuitive lumbar support function is invisibly integrated under the backrest.



# Kinesit

The built-in Self-Tensioning Weight Response Mechanism balances the recline of the backrest, responding to the weight and pressure of the user.

- 1 A Self-Tensioning Weight Response Mechanism is integrated into the seat.
- 2 Height adjustable lumbar support.







1



2



3



4



5



6



7



8



9

arper

## Chair

- |   |                            |   |                           |
|---|----------------------------|---|---------------------------|
| 1 | 5 ways                     | 7 | Trestle fixed             |
| 2 | Task – 5 ways              | 8 | Task – Trestle fixed      |
| 3 | Executive – 5 ways         | 9 | Executive – Trestle fixed |
| 4 | Trestle swivel             |   |                           |
| 5 | Task – Trestle swivel      |   |                           |
| 6 | Executive – Trestle swivel |   |                           |

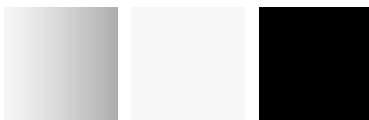
## Upholsteries



- 1 Polypropylene with mesh front face upholstery
- 2 Polypropylene with front face upholstery in fabric, leather, faux leather
- 3 Entirely upholstered in fabric, leather or faux leather

\* Kinesit Executive is only available in finish type 3.

## Finishes



- LU1 – Polished aluminum
- V12 – Matt White powder-coated
- V39 – Matt black powder-coated

arper

## Options and accessories



- 1 Armrests
- 2 Armrests adjustable in 2D
- 3 Chrome castor
- 4 White castor
- 5 Black castor

# Kinesit

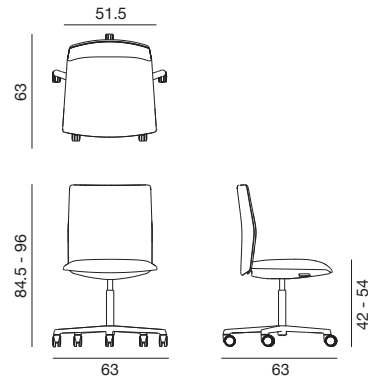
Design by Lievore Altherr Molina, 2014

## Art. 4805

Chair with polished or powder coated aluminum 5 way swivel base on castors (available for hard and soft floors, color matching with base), fitted with gas-lift mechanism for height adjustment. Seat with built-in self-tensioning weight response mechanism, backrest with 3-position recline, adjustable lumbar support breathing up to 60 mm. Low backrest with visible backshell (available in black or white), with front in nylon mesh in matching color. Seat upholstered in leather, customer's leather, faux leather, fabric or customer's fabric. Fixed or adjustable armrests in nylon fiber, color matching with backshell, are available upon request and with a surcharge.

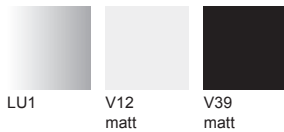


### Dimensions \*



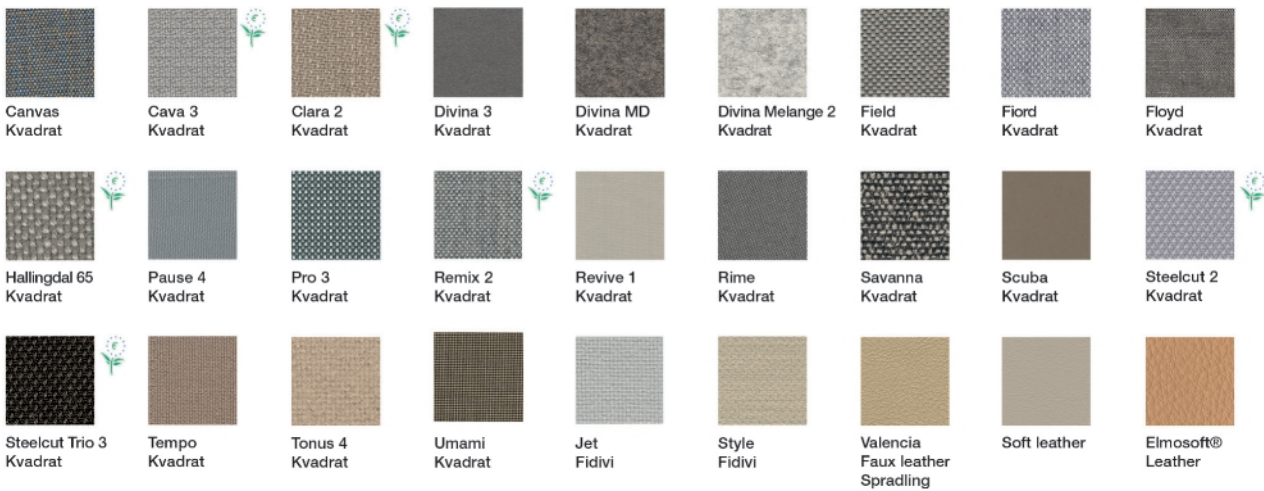
\* File CAD 2D - 3D available for download at [www.arper.com](http://www.arper.com)

### Frame Base



### Shell

#### Carded In



#### Graded In

**kvadrat**

**camira**



DESIGN  
TEX



**Gabriel**



**svensson**

**maharam**

**Serge Ferrari**

# Kinesit

Design by Lievore Altherr Molina, 2014



Armrest 2D



Armrest

## SHIPMENT DETAILS

### Art.4805

1 pz = 1  - kg 21/ m³ 0,4

## TECHNICAL SPECIFICATIONS

### Art.4805

COL requirement m² 0.78

H 140 cm. COM Meterage ml 0.72

## RESISTANCE TEST

- ANSI/BIFMA X5.1-2011/10
- ANSI/BIFMA X5.1-2011/12
- ANSI/BIFMA X5.1-2011/14
- ANSI/BIFMA X5.1-2011/17
- ANSI/BIFMA X5.1-2011/5
- ANSI/BIFMA X5.1-2011/8
- EN 1335-3:2009 7.1
- EN 1335-3:2009 7.2.2
- EN 1335-3:2009 7.2.4
- EN 1335-3:2009 7.3.1
- EN 1335-3:2009 7.3.3
- EN 1335-3:2009 4.1
- ANSI/BIFMA X5.1-2011/11
- ANSI/BIFMA X5.1-2011/13
- ANSI/BIFMA X5.1-2011/16
- ANSI/BIFMA X5.1-2011/21
- ANSI/BIFMA X5.1-2011/6
- ANSI/BIFMA X5.1-2011/9
- EN 1335-3:2009 7.2.1
- EN 1335-3:2009 7.2.3
- EN 1335-3:2009 7.2.5
- EN 1335-3:2009 7.3.2
- EN 1335-3:2009 7.3.5

## FIRE RETARDANT TEST

## ENVIRONMENTAL CERTIFICATIONS



arper

F +39 0422 791800

T +39 0422 7918

www.arper.com

# Kinesit

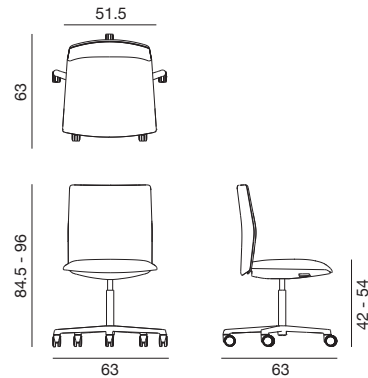
## Design by Lievore Altherr Molina, 2014

### Art. 4811

Chair with polished or powder coated aluminum 5 way swivel base on castors (available for hard and soft floors, color matching with base), fitted with gas-lift mechanism for height adjustment. Seat with built-in self-tensioning weight response mechanism, backrest with 3-position recline, adjustable lumbar support breathing up to 60 mm. Low backrest with visible backshell (available in black and white) and front back and seat upholstered in leather, customer's leather, faux leather, fabric or customer's fabric. Fixed or adjustable armrests in nylon fiber, color matching with backshell, are available upon request and with a surcharge. Back and seat can be ordered in different colors of the same upholstery, with a surcharge.



### Dimensions \*



\* File CAD 2D - 3D available for download at [www.arper.com](http://www.arper.com)

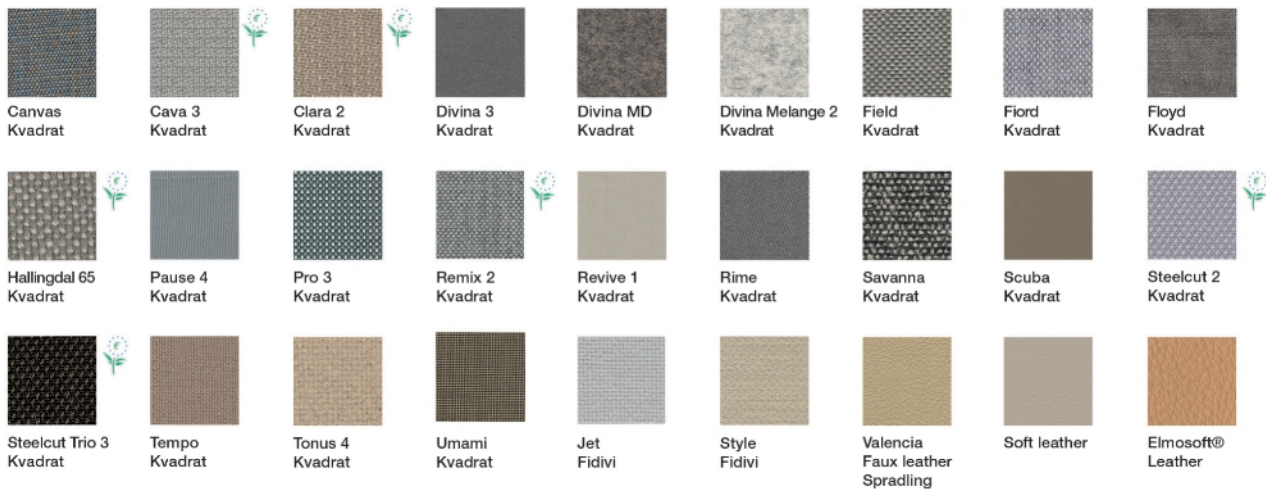
### Frame Base



arper

### Shell

#### Carded In



#### Graded In

**kvadrat**

**camira**



DESIGN  
TEX



**Gabriel**



**svensson**

**maharam**

**Serge Ferrari**

# Kinesit

Design by Lievore Altherr Molina, 2014



Armrest 2D



Armrest

## SHIPMENT DETAILS

### Art.4811

1 pz = 1  - kg 21/ m³ 0,4

## TECHNICAL SPECIFICATIONS

### Art.4811

COL requirement m² 1.58

H 140 cm. COM Meterage ml 0.72

## RESISTANCE TEST

- ANSI/BIFMA X5.1-2011/10
- ANSI/BIFMA X5.1-2011/12
- ANSI/BIFMA X5.1-2011/14
- ANSI/BIFMA X5.1-2011/17
- ANSI/BIFMA X5.1-2011/5
- ANSI/BIFMA X5.1-2011/8
- EN 1335-3:2009 7.1
- EN 1335-3:2009 7.2.2
- EN 1335-3:2009 7.2.4
- EN 1335-3:2009 7.3.1
- EN 1335-3:2009 7.3.3
- EN 1335-3:2009 4.1
- ANSI/BIFMA X5.1-2011/11
- ANSI/BIFMA X5.1-2011/13
- ANSI/BIFMA X5.1-2011/16
- ANSI/BIFMA X5.1-2011/21
- ANSI/BIFMA X5.1-2011/6
- ANSI/BIFMA X5.1-2011/9
- EN 1335-3:2009 7.2.1
- EN 1335-3:2009 7.2.3
- EN 1335-3:2009 7.2.5
- EN 1335-3:2009 7.3.2
- EN 1335-3:2009 7.3.5

## FIRE RETARDANT TEST

## ENVIRONMENTAL CERTIFICATIONS



arper

F +39 0422 791800

T +39 0422 7918

www.arper.com

# Kinesit

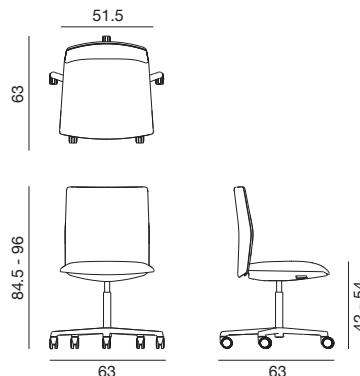
## Design by Lievore Altherr Molina, 2014

### Art. 4817

Chair with polished or powder coated aluminum 5 way swivel base on castors (available for hard and soft floors, color matching with base), fitted with gas-lift mechanism for height adjustment. Seat with built-in self-tensioning weight response mechanism, backrest with 3-position recline, adjustable lumbar support breathing up to 60 mm. Back and seat completely upholstered in leather, customer's leather, faux leather, fabric or customer's fabric. Fixed or adjustable armrests in nylon fiber, color matching with backshell, are available upon request and with a surcharge. Back and seat can be ordered in different colors of the same upholstery, with a surcharge.



### Dimensions \*



\* File CAD 2D - 3D available for download at [www.arper.com](http://www.arper.com)

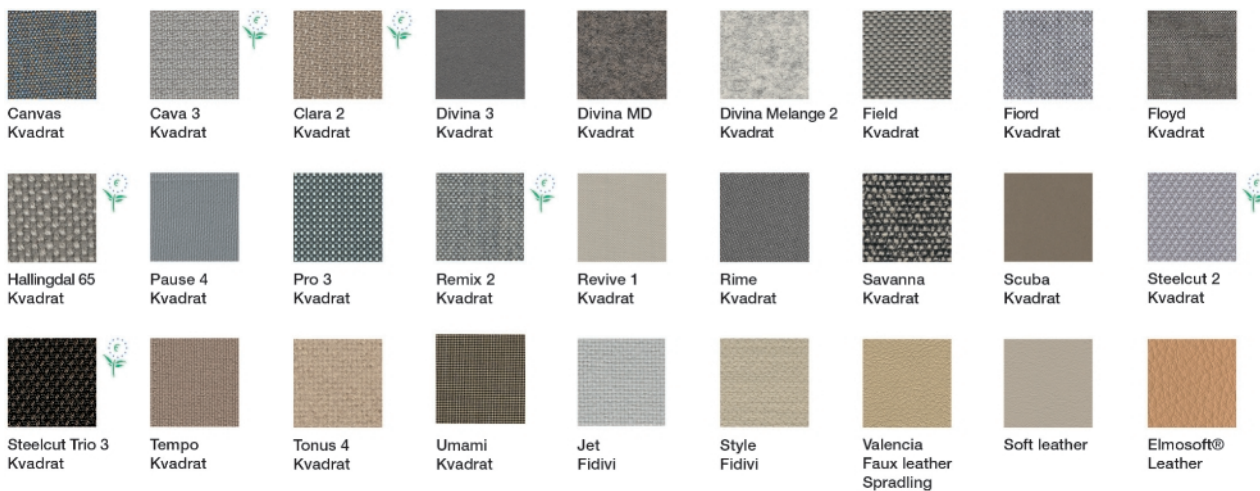
### Frame Base



arper

### Shell

#### Carded In



#### Graded In

kvadrat

camira



DESIGN  
TEX



Gabriel



svensson

maharam

Serge Ferrari

# Kinesit

Design by Lievore Altherr Molina, 2014



Armrest 2D



Armrest

## SHIPMENT DETAILS

### Art.4817

1 pz = 1  - kg 21/ m³ 0,4

## TECHNICAL SPECIFICATIONS

### Art.4817

COL requirement m² 2.38

H 140 cm. COM Meterage ml 1.38

## RESISTANCE TEST

- ANSI/BIFMA X5.1-2011/10
- ANSI/BIFMA X5.1-2011/12
- ANSI/BIFMA X5.1-2011/14
- ANSI/BIFMA X5.1-2011/17
- ANSI/BIFMA X5.1-2011/5
- ANSI/BIFMA X5.1-2011/8
- EN 1335-3:2009 7.1
- EN 1335-3:2009 7.2.2
- EN 1335-3:2009 7.2.4
- EN 1335-3:2009 7.3.1
- EN 1335-3:2009 7.3.3
- EN 1335-3:2009 4.1
- ANSI/BIFMA X5.1-2011/11
- ANSI/BIFMA X5.1-2011/13
- ANSI/BIFMA X5.1-2011/16
- ANSI/BIFMA X5.1-2011/21
- ANSI/BIFMA X5.1-2011/6
- ANSI/BIFMA X5.1-2011/9
- EN 1335-3:2009 7.2.1
- EN 1335-3:2009 7.2.3
- EN 1335-3:2009 7.2.5
- EN 1335-3:2009 7.3.2
- EN 1335-3:2009 7.3.5

## FIRE RETARDANT TEST

## ENVIRONMENTAL CERTIFICATIONS



arper

F +39 0422 791800

T +39 0422 7918

www.arper.com



# Kinesit

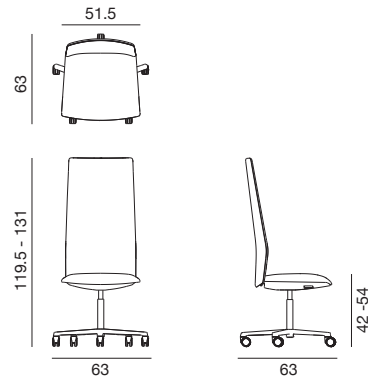
Design by Lievore Altherr Molina, 2014

## Art. 4841

Chair with polished or powder coated aluminum 5 way swivel base on castors (available for hard and soft floors, color matching with base), fitted with gas-lift mechanism for height adjustment. Seat with built-in self-tensioning weight response mechanism, backrest with 3-position recline. High back and seat completely upholstered in leather, customer's leather, faux leather, fabric or customer's fabric. Fixed or adjustable armrests in nylon fiber, color matching with backshell, are available upon request and with a surcharge.

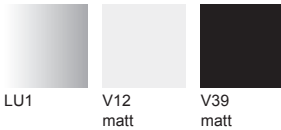


### Dimensions \*



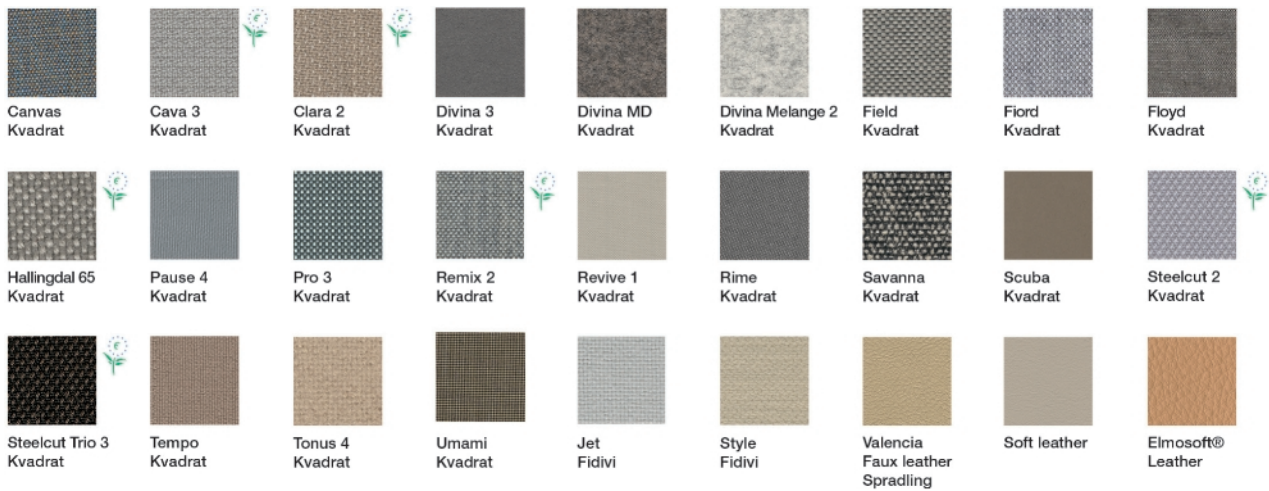
\* File CAD 2D - 3D available for download at [www.arper.com](http://www.arper.com)

### Frame Base



### Shell

#### Carded In



#### Graded In

kvadrat

camira



DESIGN  
TEX



Gabriel



svensson

maharam

Serge Ferrari

# Kinesit

Design by Lievore Altherr Molina, 2014

---



Armrest 2D



Armrest

---

## SHIPMENT DETAILS

### Art.4841

1 pz = 1  - kg 24/ m³ 0,55

---

## TECHNICAL SPECIFICATIONS

### Art.4841

COL requirement m² 3.3

H 140 cm. COM Meterage ml 1.76

---

## RESISTANCE TEST

---

## FIRE RETARDANT TEST

---

## ENVIRONMENTAL CERTIFICATIONS



arper

F +39 0422 791800

T +39 0422 7918

www.arper.com

# Kinesit

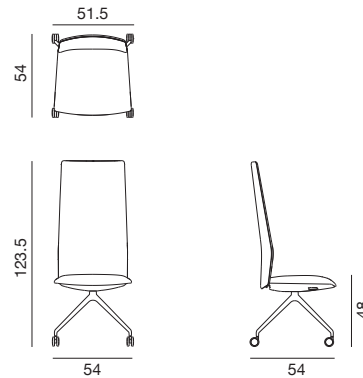
Design by Lievore Altherr Molina, 2014

## Art. 4837

Chair with aluminum fixed trestle base on self-breaking castors (color matching with base). Seat with built-in self-tensioning weight response mechanism, backrest with 3-position recline. High back and seat completely upholstered in leather, customer's leather, faux leather, fabric or customer's fabric. Fixed or adjustable armrests in nylon fiber, color matching with backshell, are available upon request and with a surcharge.



### Dimensions \*



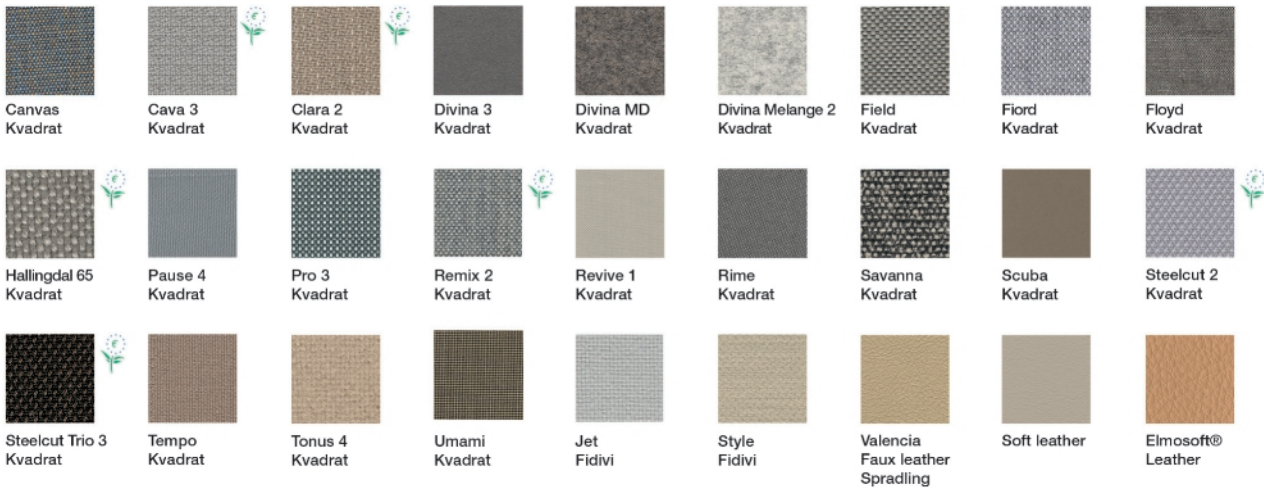
\* File CAD 2D - 3D available for download at [www.arper.com](http://www.arper.com)

### Frame Base



### Shell

#### Carded In



#### Graded In

**kvadrat**

**camira**



DESIGN  
TEX



**Gabriel**



**svensson**

**maharam**

**Serge Ferrari**

# Kinesit

Design by Lievore Altherr Molina, 2014

---



Armrest 2D



Armrest

---

## SHIPMENT DETAILS

**Art.4837**

1 pz = 1  - kg 24/ m³ 0,55

---

## TECHNICAL SPECIFICATIONS

**Art.4837**

COL requirement m² 3.3

H 140 cm. COM Meterage ml 1.76

---

## RESISTANCE TEST

---

## FIRE RETARDANT TEST

---

## ENVIRONMENTAL CERTIFICATIONS



**arper**

F +39 0422 791800

T +39 0422 7918

www.arper.com

# Kinesit

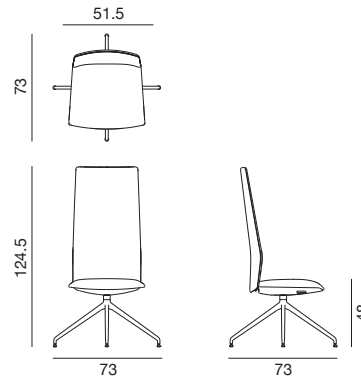
Design by Lievore Altherr Molina, 2014

## Art. 4836

Chair with aluminum swivel trestle base on glides. Seat with built-in self-tensioning weight response mechanism, backrest with 3-position recline. High back and seat completely upholstered in leather, customer's leather, faux leather, fabric or customer's fabric. Fixed or 2D adjustable armrests in nylon fiber, color matching with backshell, are available upon request and with a surcharge.



### Dimensions \*



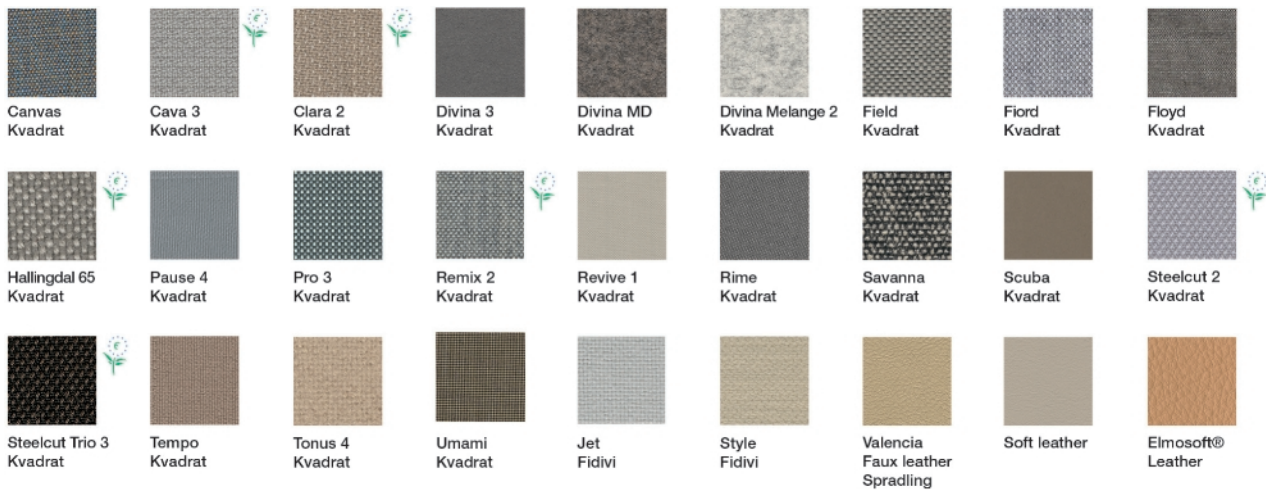
\* File CAD 2D - 3D available for download at [www.arper.com](http://www.arper.com)

### Frame Base



### Shell

#### Carded In



#### Graded In

**kvadrat**

**camira**



DESIGN  
TEX



**Gabriel**



**svensson**

**maharam**

**Serge Ferrari**

# Kinesit

Design by Lievore Altherr Molina, 2014

---

## Accessories:



Set of glides Art. 2015



Armrest 2D



Armrest

---

## SHIPMENT DETAILS

**Art.4836**

1 pz = 1  - kg 24/ m³ 0,55

---

## TECHNICAL SPECIFICATIONS

**Art.4836**

COL requirement m² 3.3

H 140 cm. COM Meterage ml 1.76

---

## RESISTANCE TEST

---

## FIRE RETARDANT TEST

---

## ENVIRONMENTAL CERTIFICATIONS



arper

F +39 0422 791800

T +39 0422 7918

www.arper.com

# Kinesit

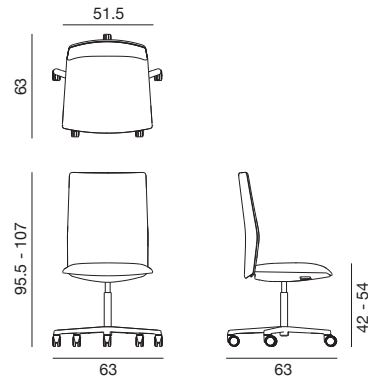
Design by Lievore Altherr Molina, 2014

## Art. 4823

Chair with polished or powder coated aluminum 5 way swivel base on castors (available for hard and soft floors, color matching with base), fitted with gas-lift mechanism for height adjustment. Seat with built-in self-tensioning weight response mechanism, backrest with 3-position recline, adjustable lumbar support breathing up to 60 mm. Medium backrest with front in nylon mesh in the same color as the backshell (black or white). Seat upholstered in leather, customer's leather, faux leather, fabric or customer's fabric. Fixed or adjustable armrests in nylon fiber, in the same color as the backshell, are available upon request and with a surcharge.

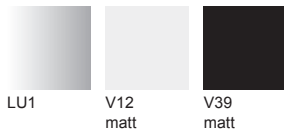


### Dimensions \*



\* File CAD 2D - 3D available for download at [www.arper.com](http://www.arper.com)

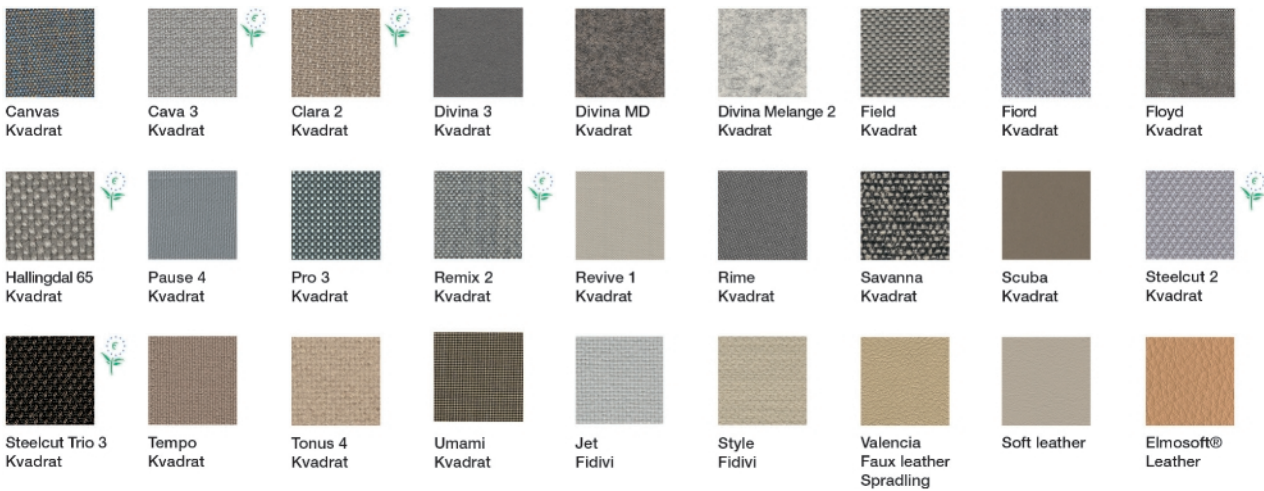
### Frame Base



arper

### Shell

#### Carded In



#### Graded In

**kvadrat**

**camira**



DESIGN  
TEX



**Gabriel**



**svensson**

**maharam**

**Serge Ferrari**

# Kinesit

Design by Lievore Altherr Molina, 2014



Armrest 2D



Armrest

## SHIPMENT DETAILS

### Art.4823

1 pz = 1  - kg 22/ m³ 0,45

## TECHNICAL SPECIFICATIONS

### Art.4823

COL requirement m² 0.78

H 140 cm. COM Meterage ml 0.72

## RESISTANCE TEST

- ANSI/BIFMA X5.1-2011/10
- ANSI/BIFMA X5.1-2011/12
- ANSI/BIFMA X5.1-2011/14
- ANSI/BIFMA X5.1-2011/17
- ANSI/BIFMA X5.1-2011/5
- ANSI/BIFMA X5.1-2011/8
- EN 1335-3:2009 7.1
- EN 1335-3:2009 7.2.2
- EN 1335-3:2009 7.2.4
- EN 1335-3:2009 7.3.1
- EN 1335-3:2009 7.3.3
- EN 1335-3:2009 4.1
- ANSI/BIFMA X5.1-2011/11
- ANSI/BIFMA X5.1-2011/13
- ANSI/BIFMA X5.1-2011/16
- ANSI/BIFMA X5.1-2011/21
- ANSI/BIFMA X5.1-2011/6
- ANSI/BIFMA X5.1-2011/9
- EN 1335-3:2009 7.2.1
- EN 1335-3:2009 7.2.3
- EN 1335-3:2009 7.2.5
- EN 1335-3:2009 7.3.2
- EN 1335-3:2009 7.3.5

## FIRE RETARDANT TEST

## ENVIRONMENTAL CERTIFICATIONS



arper

F +39 0422 791800

T +39 0422 7918

www.arper.com



# Kinesit

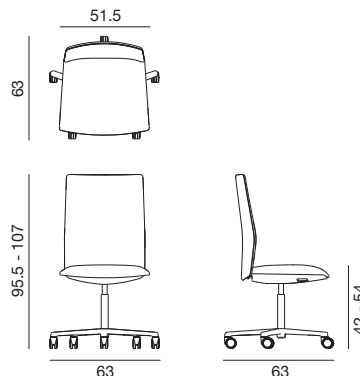
## Design by Lievore Altherr Molina, 2014

### Art. 4829

Chair with polished or powder coated aluminum 5 way swivel base on castors (available for hard and soft floors, color matching with base), fitted with gas-lift mechanism for height adjustment. Seat with built-in self-tensioning weight response mechanism, backrest with 3-position recline, adjustable lumbar support breathing up to 60 mm. Medium backrest with visible backshell (available in black and white) and front back and seat upholstered in leather, customer's leather, faux leather, fabric or customer's fabric. Fixed or adjustable armrests in nylon fiber, color matching with backshell, are available upon request and with a surcharge. Back and seat can be ordered in different colors of the same upholstery, with a surcharge.



### Dimensions \*



\* File CAD 2D - 3D available for download at [www.arper.com](http://www.arper.com)

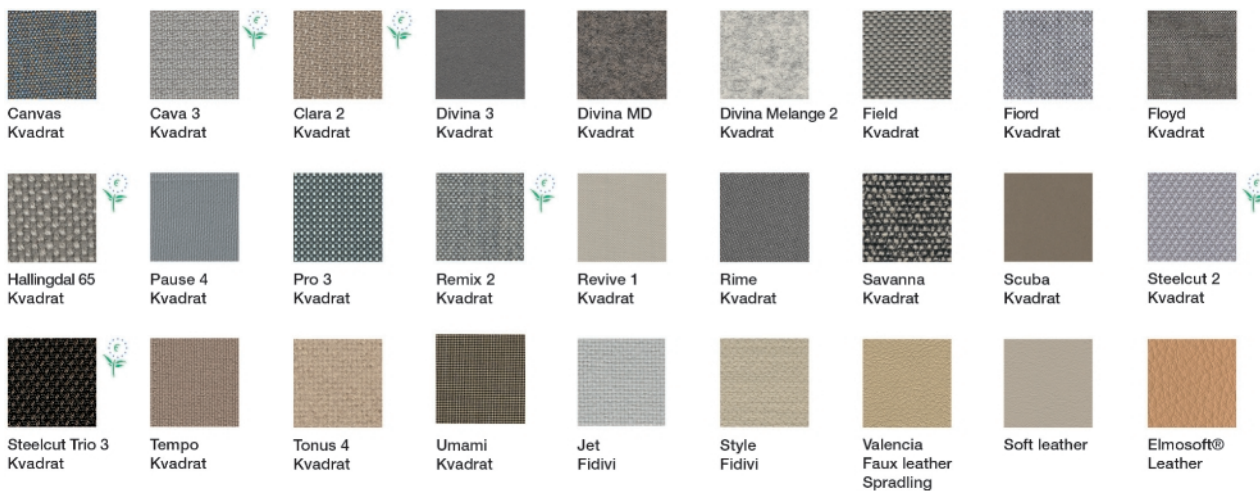
### Frame Base



arper

### Shell

### Carded In



### Graded In

kvadrat

camira



DESIGN  
TEX



Gabriel



svensson

maharam

Serge Ferrari

# Kinesit

Design by Lievore Altherr Molina, 2014



Armrest 2D



Armrest

## SHIPMENT DETAILS

### Art.4829

1 pz = 1  - kg 22/ m³ 0,45

## TECHNICAL SPECIFICATIONS

### Art.4829

COL requirement m² 1.68

H 140 cm. COM Meterage ml 0.83

## RESISTANCE TEST

- ANSI/BIFMA X5.1-2011/10
- ANSI/BIFMA X5.1-2011/12
- ANSI/BIFMA X5.1-2011/14
- ANSI/BIFMA X5.1-2011/17
- ANSI/BIFMA X5.1-2011/5
- ANSI/BIFMA X5.1-2011/8
- EN 1335-3:2009 7.1
- EN 1335-3:2009 7.2.2
- EN 1335-3:2009 7.2.4
- EN 1335-3:2009 7.3.1
- EN 1335-3:2009 7.3.3
- EN 1335-3:2009 4.1
- ANSI/BIFMA X5.1-2011/11
- ANSI/BIFMA X5.1-2011/13
- ANSI/BIFMA X5.1-2011/16
- ANSI/BIFMA X5.1-2011/21
- ANSI/BIFMA X5.1-2011/6
- ANSI/BIFMA X5.1-2011/9
- EN 1335-3:2009 7.2.1
- EN 1335-3:2009 7.2.3
- EN 1335-3:2009 7.2.5
- EN 1335-3:2009 7.3.2
- EN 1335-3:2009 7.3.5

## FIRE RETARDANT TEST

## ENVIRONMENTAL CERTIFICATIONS



arper

F +39 0422 791800

T +39 0422 7918

www.arper.com

# Kinesit

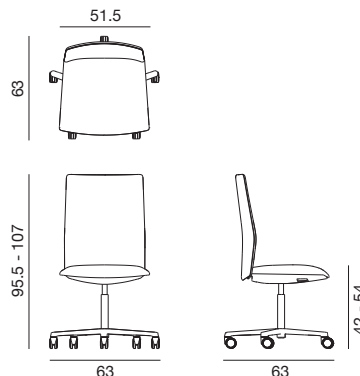
Design by Lievore Altherr Molina, 2014

## Art. 4835

Chair with polished or powder coated aluminum 5 way swivel base on castors (available for hard and soft floors, color matching with base), fitted with gas-lift mechanism for height adjustment. Seat with built-in self-tensioning weight response mechanism, backrest with 3-position recline, adjustable lumbar support breathing up to 60 mm. Medium back and seat completely upholstered in leather, customer's leather, faux leather, fabric or customer's fabric. Fixed or adjustable armrests in nylon fiber, color matching with backshell, are available upon request and with a surcharge. Back and seat can be ordered in different colors of the same upholstery, with a surcharge.



### Dimensions \*



\* File CAD 2D - 3D available for download at [www.arper.com](http://www.arper.com)

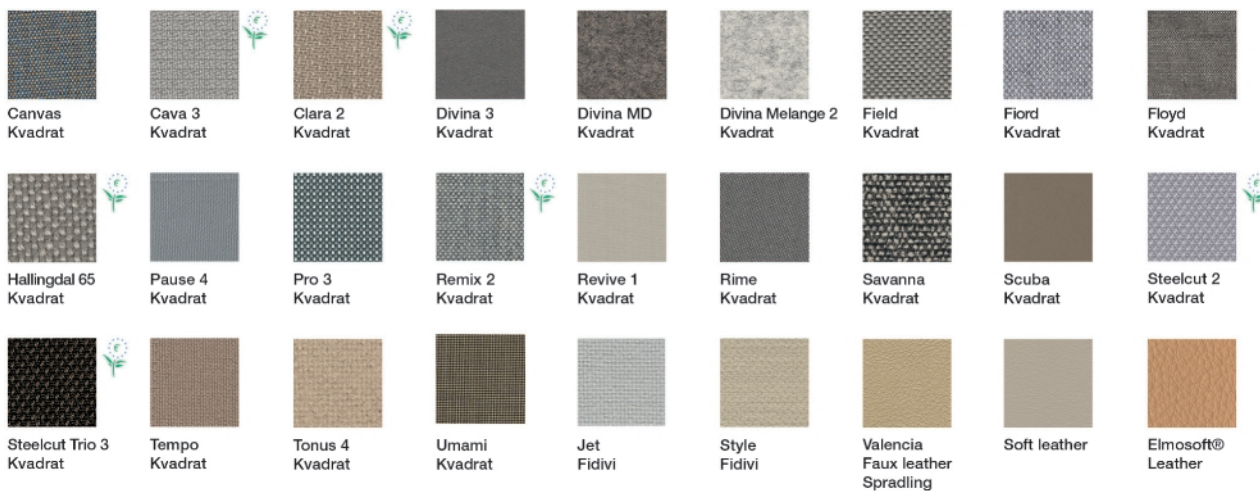
### Frame Base



arper

### Shell

#### Carded In



#### Graded In

**kvadrat**

**camira**



DESIGN  
TEX



**Gabriel**



**svensson**

**maharam**

**Serge Ferrari**

F +39 0422 791800

T +39 0422 7918

www.arper.com

# Kinesit

Design by Lievore Altherr Molina, 2014



Armrest 2D



Armrest

## SHIPMENT DETAILS

### Art.4835

1 pz = 1  - kg 22/ m<sup>3</sup> 0,45

## TECHNICAL SPECIFICATIONS

### Art.4835

COL requirement m<sup>2</sup> 2.64

H 140 cm. COM Meterage ml 1.76

## RESISTANCE TEST

- ANSI/BIFMA X5.1-2011/10
- ANSI/BIFMA X5.1-2011/12
- ANSI/BIFMA X5.1-2011/14
- ANSI/BIFMA X5.1-2011/17
- ANSI/BIFMA X5.1-2011/5
- ANSI/BIFMA X5.1-2011/8
- EN 1335-3:2009 7.1
- EN 1335-3:2009 7.2.2
- EN 1335-3:2009 7.2.4
- EN 1335-3:2009 7.3.1
- EN 1335-3:2009 7.3.3
- EN 1335-3:2009 4.1
- ANSI/BIFMA X5.1-2011/11
- ANSI/BIFMA X5.1-2011/13
- ANSI/BIFMA X5.1-2011/16
- ANSI/BIFMA X5.1-2011/21
- ANSI/BIFMA X5.1-2011/6
- ANSI/BIFMA X5.1-2011/9
- EN 1335-3:2009 7.2.1
- EN 1335-3:2009 7.2.3
- EN 1335-3:2009 7.2.5
- EN 1335-3:2009 7.3.2
- EN 1335-3:2009 7.3.5

## FIRE RETARDANT TEST

## ENVIRONMENTAL CERTIFICATIONS



arper

F +39 0422 791800

T +39 0422 7918

www.arper.com

# Kinesit

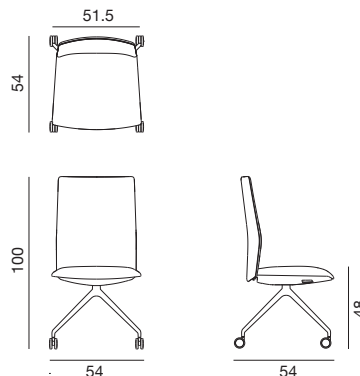
Design by Lievore Altherr Molina, 2014

## Art. 4819

Chair with aluminum swivel trestle base on glides. Seat with built-in self-tensioning weight response mechanism, backrest with 3-position recline, adjustable lumbar support breathing up to 60 mm. Medium backrest with front in nylon mesh in the same color as the backshell (black or white). Seat upholstered in leather, customer's leather, faux leather, fabric or customer's fabric. Fixed or adjustable armrests in nylon fiber, in the same color as the backshell, are available upon request and with a surcharge.



### Dimensions \*



\* File CAD 2D - 3D available for download at [www.arper.com](http://www.arper.com)

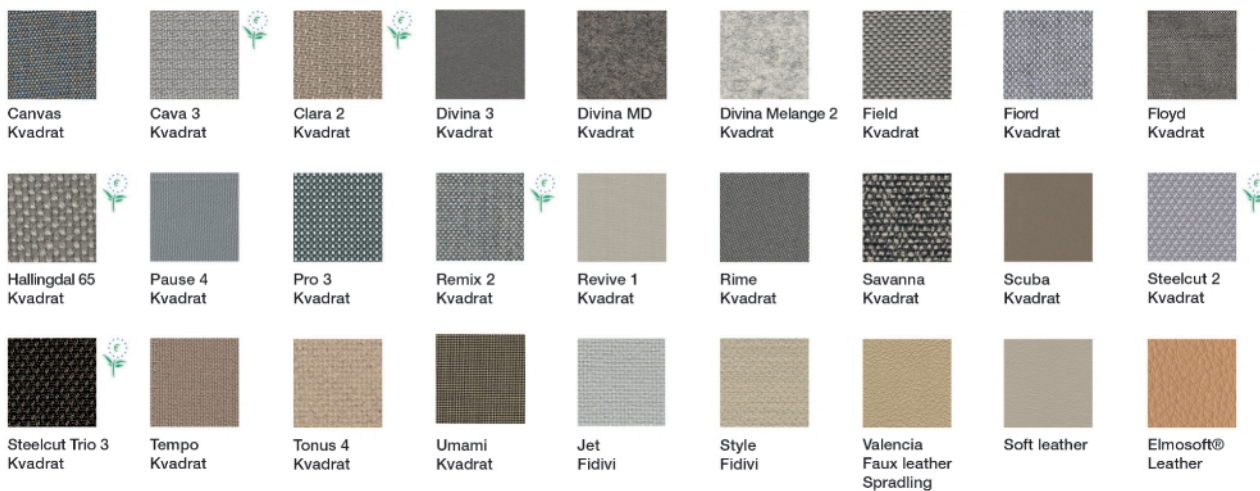
### Frame Base



arper

### Shell

#### Carded In



#### Graded In

**kvadrat**

**camira**



DESIGN  
TEX



**Gabriel**



**svensson**

**maharam**

**Serge Ferrari**

# Kinesit

Design by Lievore Altherr Molina, 2014

---



Armrest 2D



Armrest

---

## SHIPMENT DETAILS

**Art.4819**

1 pz = 1  - kg 22/ m³ 0,45

---

## TECHNICAL SPECIFICATIONS

**Art.4819**

COL requirement m² 0.78

H 140 cm. COM Meterage ml 0.72

---

## RESISTANCE TEST

---

## FIRE RETARDANT TEST

---

## ENVIRONMENTAL CERTIFICATIONS



**arper**

F +39 0422 791800

T +39 0422 7918

www.arper.com

# Kinesit

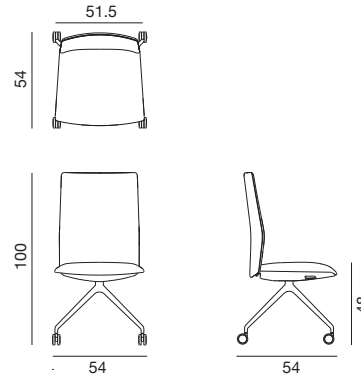
Design by Lievore Altherr Molina, 2014

## Art. 4825

Chair with aluminum fixed trestle base on self-breaking castors (color matching with base). Seat with built-in self-tensioning weight response mechanism, backrest with 3-position recline, adjustable lumbar support breathing up to 60 mm. Medium backrest with visible backshell (available in black and white) and front back and seat upholstered in leather, customer's leather, faux leather, fabric or customer's fabric. Fixed or adjustable armrests in nylon fiber, color matching with backshell, are available upon request and with a surcharge. Back and seat can be ordered in different colors of the same upholstery, with a surcharge.



### Dimensions \*



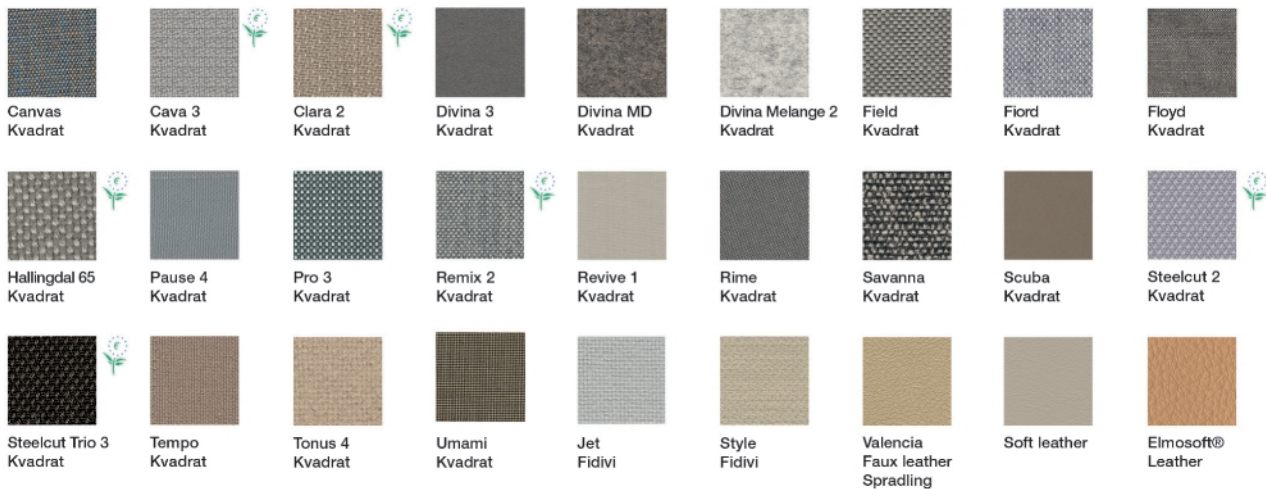
\* File CAD 2D - 3D available for download at [www.arper.com](http://www.arper.com)

### Frame Base



### Shell

#### Carded In



#### Graded In

**kvadrat**

**camira**



DESIGN  
TEX



**Gabriel**



**svensson**

**maharam**

**Serge Ferrari**

# Kinesit

Design by Lievore Altherr Molina, 2014

---



Armrest 2D




Armrest

---

## SHIPMENT DETAILS

**Art.4825**

1 pz = 1  - kg 22/ m³ 0,45

---

## TECHNICAL SPECIFICATIONS

**Art.4825**

COL requirement m² 1.68

H 140 cm. COM Meterage ml 0.83

---

## RESISTANCE TEST

---

## FIRE RETARDANT TEST

---

## ENVIRONMENTAL CERTIFICATIONS



**arper**

F +39 0422 791800

T +39 0422 7918

www.arper.com



# Kinesit

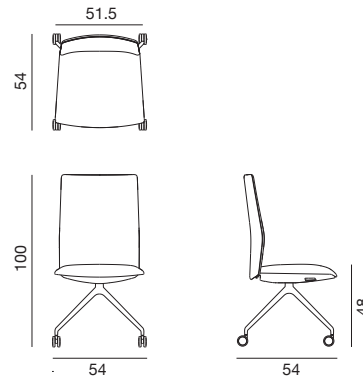
## Design by Lievore Altherr Molina, 2014

### Art. 4831

Chair with aluminum fixed trestle base on self-breaking castors (color matching with base). Seat with built-in self-tensioning weight response mechanism, backrest with 3-position recline, adjustable lumbar support breathing up to 60 mm. Medium back and seat completely upholstered in leather, customer's leather, faux leather, fabric or customer's fabric. Fixed or adjustable armrests in nylon fiber, color matching with backshell, are available upon request and with a surcharge. Back and seat can be ordered in different colors of the same upholstery, with a surcharge.

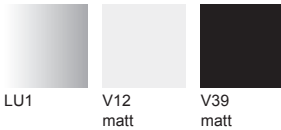


### Dimensions \*



\* File CAD 2D - 3D available for download at [www.arper.com](http://www.arper.com)

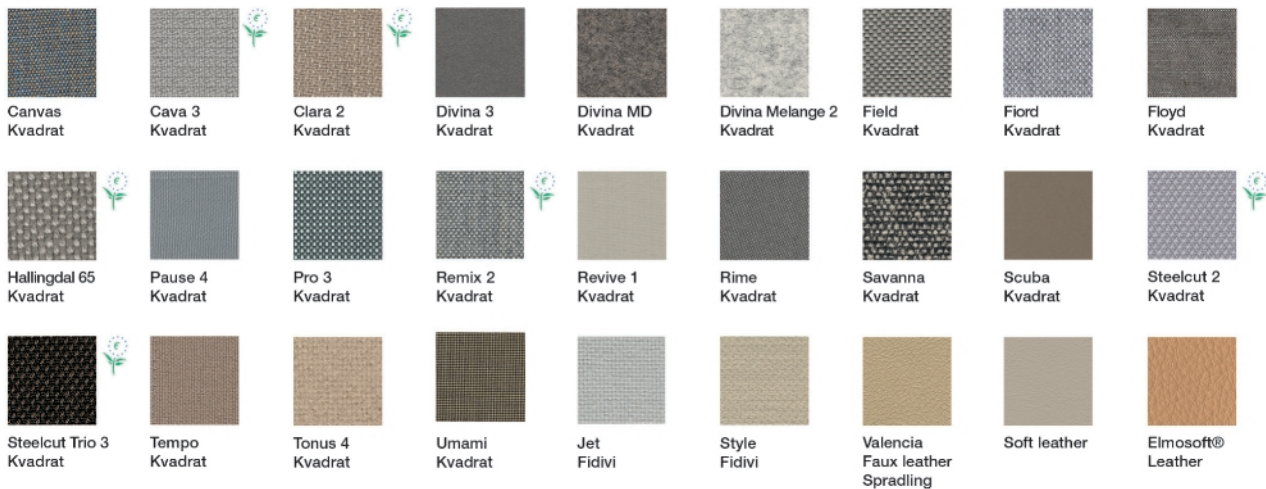
### Frame Base



arper

### Shell

#### Carded In



#### Graded In

**kvadrat**

**camira**



DESIGN  
TEX



**Gabriel**



**svensson**

**maharam**

**Serge Ferrari**

# Kinesit

Design by Lievore Altherr Molina, 2014

---



Armrest 2D



Armrest

---

## SHIPMENT DETAILS

**Art.4831**

1 pz = 1  - kg 22/ m³ 0,45

---

## TECHNICAL SPECIFICATIONS

**Art.4831**

COL requirement m² 2.64

H 140 cm. COM Meterage ml 1.49

---

## RESISTANCE TEST

---

## FIRE RETARDANT TEST

---

## ENVIRONMENTAL CERTIFICATIONS



**arper**

F +39 0422 791800

T +39 0422 7918

www.arper.com

# Kinesit

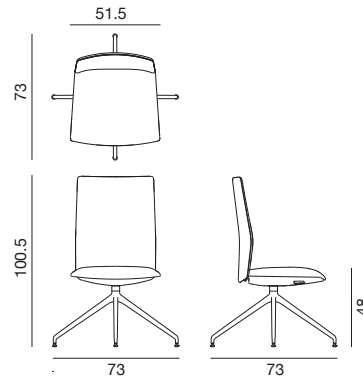
Design by Lievore Altherr Molina, 2014

## Art. 4818

Chair with aluminum swivel trestle base on glides. Seat with built-in self-tensioning weight response mechanism, backrest with 3-position recline, adjustable lumbar support breathing up to 60 mm. Medium backrest with front in nylon mesh in the same color as the backshell (black or white). Seat upholstered in leather, customer's leather, faux leather, fabric or customer's fabric. Fixed or 2D adjustable armrests in nylon fiber, color matching with backshell, are available upon request and with a surcharge.



### Dimensions \*



\* File CAD 2D - 3D available for download at [www.arper.com](http://www.arper.com)

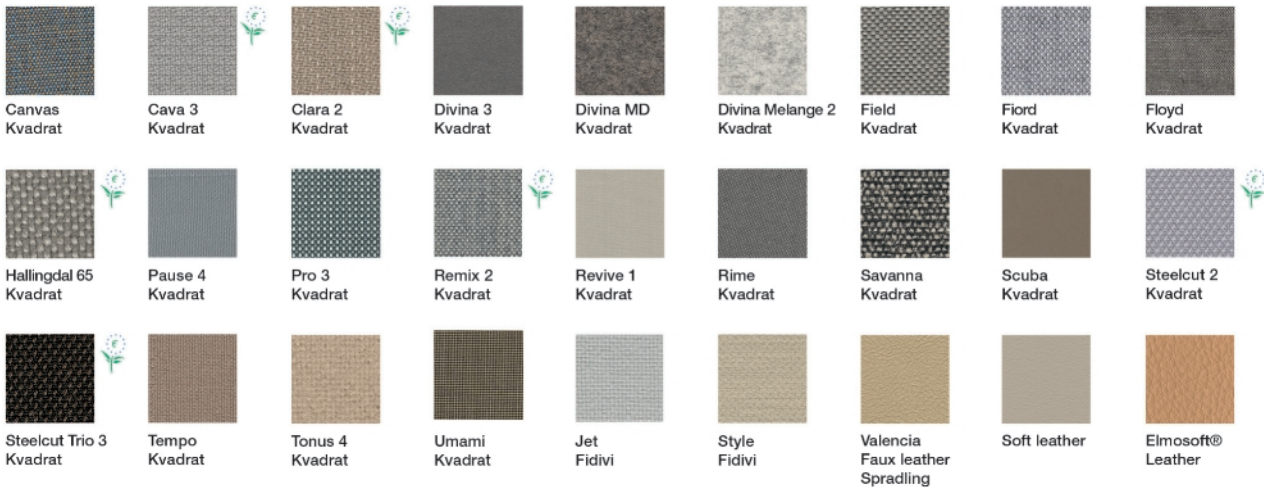
### Frame Base



arper

### Shell

#### Carded In



#### Graded In

**kvadrat**

**camira**



DESIGN  
TEX



**Gabriel**



**svensson**

**maharam**

**Serge Ferrari**

# Kinesit

Design by Lievore Altherr Molina, 2014

---

## Accessories:



Set of glides Art. 2015



Armrest 2D



Armrest

---

## SHIPMENT DETAILS

**Art.4818**

1 pz = 1  - kg 22/ m³ 0,45

---

## RESISTANCE TEST

---

## ENVIRONMENTAL CERTIFICATIONS



---

## TECHNICAL SPECIFICATIONS

**Art.4818**

COL requirement m² 0.78

H 140 cm. COM Meterage ml 0.72

---

## FIRE RETARDANT TEST

arper

F +39 0422 791800

T +39 0422 7918

www.arper.com

# Kinesit

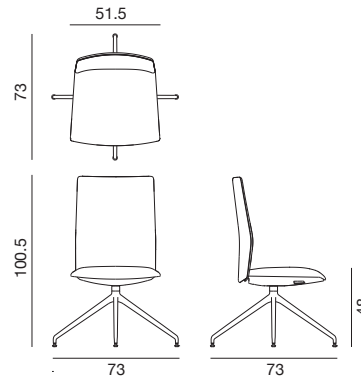
Design by Lievore Altherr Molina, 2014

## Art. 4824

Chair with aluminum swivel trestle base on glides. Seat with built-in self-tensioning weight response mechanism, backrest with 3-position recline, adjustable lumbar support breathing up to 60 mm. Medium backrest with visible backshell (available in black and white) and front back and seat upholstered in leather, customer's leather, faux leather, fabric or customer's fabric. Fixed or 2D adjustable armrests in nylon fiber, color matching with backshell, are available upon request and with a surcharge. Back and seat can be ordered in different colors of the same upholstery, with a surcharge.

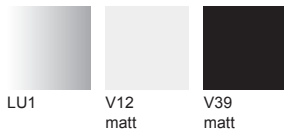


### Dimensions \*



\* File CAD 2D - 3D available for download at [www.arper.com](http://www.arper.com)

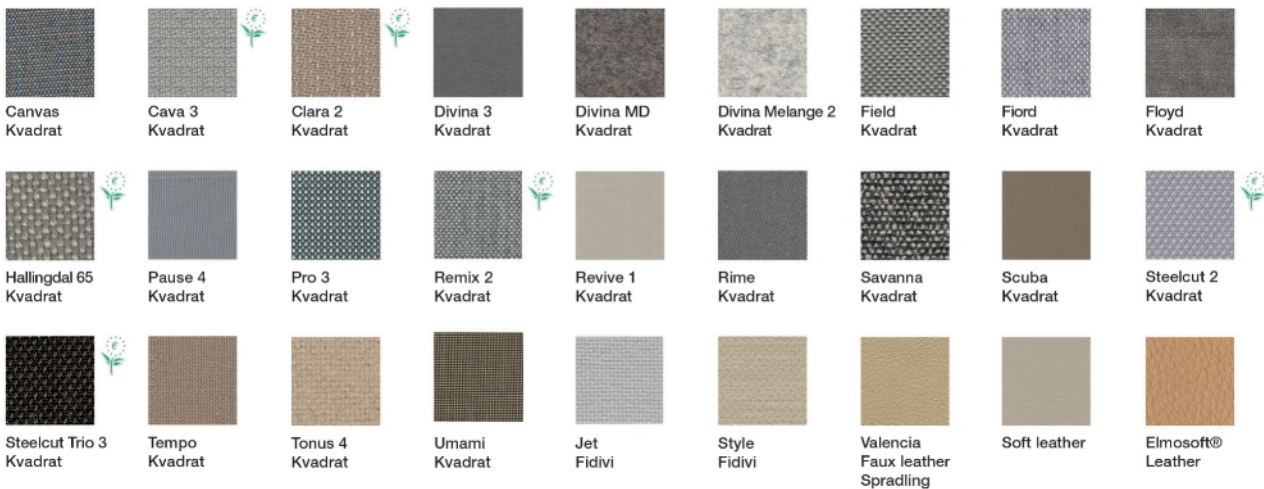
### Frame Base



arper

### Shell

#### Carded In



#### Graded In

**kvadrat**

**camira**



DESIGN  
TEX



**Gabriel**



**svensson**

**maharam**

**Serge Ferrari**

F +39 0422 791800

T +39 0422 7918

www.arper.com

# Kinesit

Design by Lievore Altherr Molina, 2014

---

## Accessories:



Set of glides Art. 2015



Armrest 2D



Armrest

---

## SHIPMENT DETAILS

**Art.4824**

1 pz = 1  - kg 22/ m³ 0,45

---

## TECHNICAL SPECIFICATIONS

**Art.4824**

COL requirement m² 1.68

H 140 cm. COM Meterage ml 0.83

---

## RESISTANCE TEST

---

## FIRE RETARDANT TEST

---

## ENVIRONMENTAL CERTIFICATIONS



arper

F +39 0422 791800

T +39 0422 7918

www.arper.com

# Kinesit

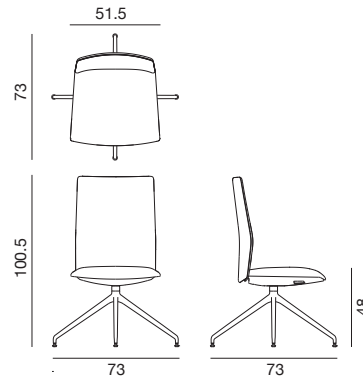
Design by Lievore Altherr Molina, 2014

## Art. 4830

Chair with aluminum swivel trestle base on glides. Seat with built-in self-tensioning weight response mechanism, backrest with 3-position recline, adjustable lumbar support breathing up to 60 mm. Medium back and seat completely upholstered in leather, customer's leather, faux leather, fabric or customer's fabric. Fixed or 2D adjustable armrests in nylon fiber are available upon request and with a surcharge. Back and seat can be ordered in different colors of the same upholstery, with a surcharge.

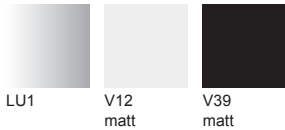


### Dimensions \*



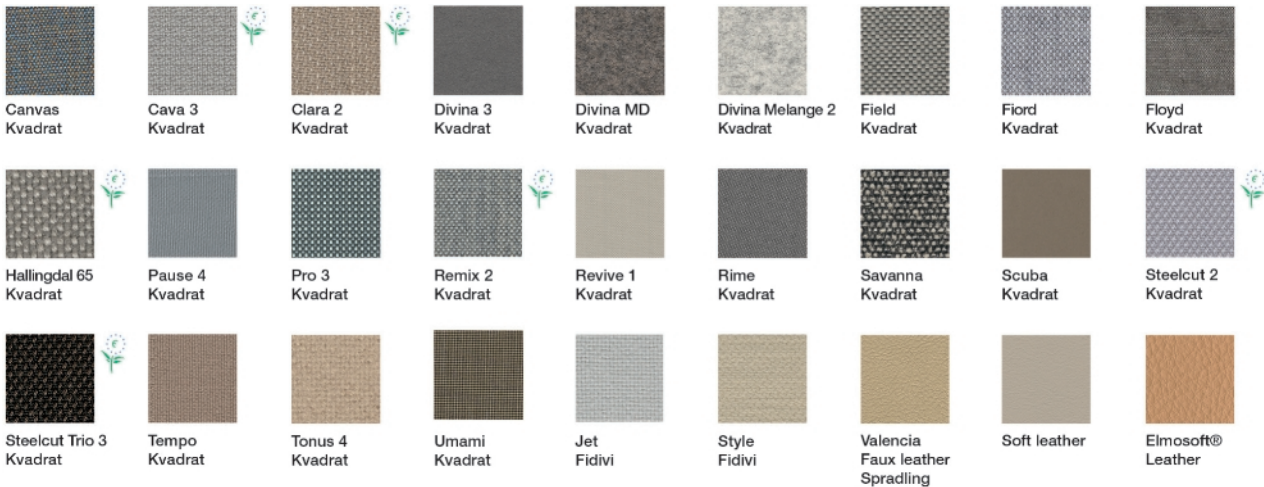
\* File CAD 2D - 3D available for download at [www.arper.com](http://www.arper.com)

### Frame Base



### Shell

#### Carded In



#### Graded In

**kvadrat**

**camira**



DESIGN  
TEX



**Gabriel**



**svensson**

**maharam**

**Serge Ferrari**

# Kinesit

Design by Lievore Altherr Molina, 2014

---

## Accessories:



Set of glides Art. 2015



Armrest 2D



Armrest

---

## SHIPMENT DETAILS

**Art.4830**

1 pz = 1  - kg 22/ m³ 0,45

---

## RESISTANCE TEST

---

## ENVIRONMENTAL CERTIFICATIONS



---

## TECHNICAL SPECIFICATIONS

**Art.4830**

COL requirement m² 2,64

H 140 cm. COM Meterage ml 1.49

---

## FIRE RETARDANT TEST

arper

F +39 0422 791800

T +39 0422 7918

www.arper.com



# Kinesit

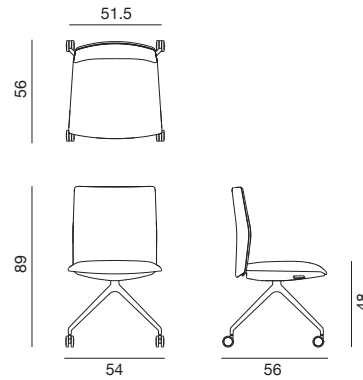
Design by Lievore Altherr Molina, 2014

## Art. 4801

Chair with aluminum fixed trestle base on self-breaking castors (color matching with base). Seat with built-in self-tensioning weight response mechanism, backrest with 3-position recline, adjustable lumbar support breathing up to 60 mm. Low backrest with visible backshell (available in black or white), with front in nylon mesh in matching color. Seat upholstered in leather, customer's leather, faux leather, fabric or customer's fabric. Fixed or 2D adjustable armrests in nylon fiber, color matching with backshell, are available upon request and with a surcharge.

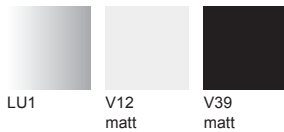


### Dimensions \*



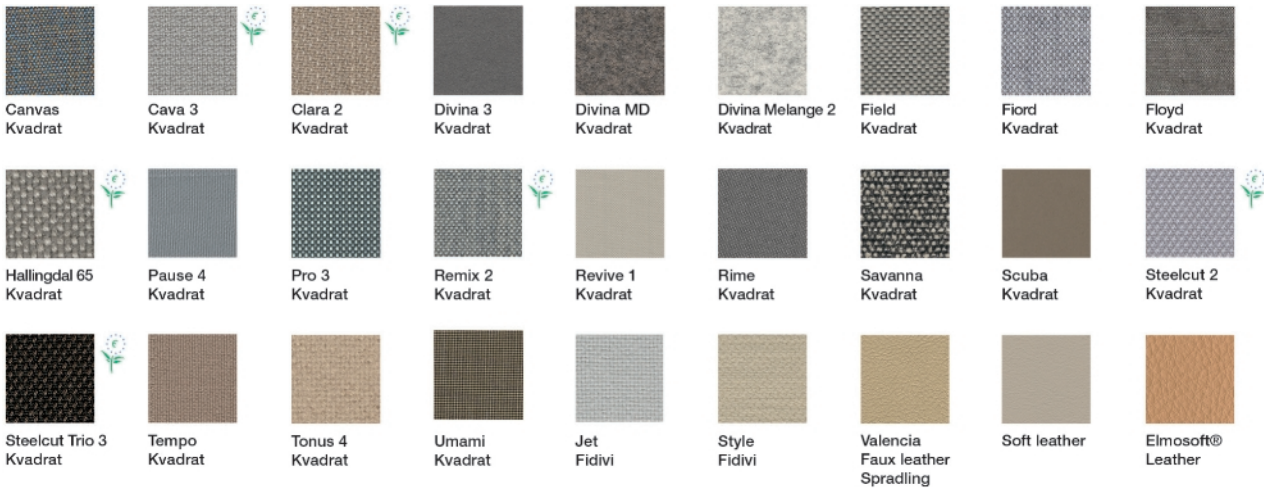
\* File CAD 2D - 3D available for download at [www.arper.com](http://www.arper.com)

### Frame Base



### Shell

#### Carded In



#### Graded In

**kvadrat**

**camira**



DESIGN  
TEX



**Gabriel**



**svensson**

**maharam**

**Serge Ferrari**

# Kinesit

Design by Lievore Altherr Molina, 2014

---



Armrest 2D




Armrest

---

## SHIPMENT DETAILS

**Art.4801**

1 pz = 1  - kg 21/ m³ 0,4

---

## TECHNICAL SPECIFICATIONS

**Art.4801**

COL requirement m² 0.78

H 140 cm. COM Meterage ml 0.72

---

## RESISTANCE TEST

---

## FIRE RETARDANT TEST

---

## ENVIRONMENTAL CERTIFICATIONS



**arper**

F +39 0422 791800

T +39 0422 7918

www.arper.com

# Kinesit

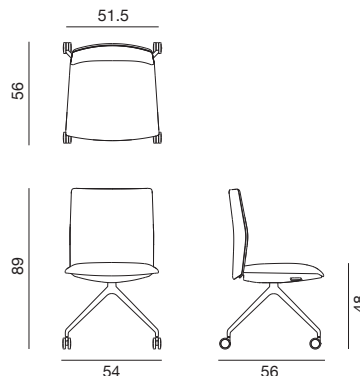
Design by Lievore Altherr Molina, 2014

## Art. 4807

Chair with aluminum fixed trestle base on self-breaking castors (color matching with base). Seat with built-in self-tensioning weight response mechanism, backrest with 3-position recline, adjustable lumbar support breathing up to 60 mm. Low backrest with visible backshell (available in black and white) and front back and seat upholstered in leather, customer's leather, faux leather, fabric or customer's fabric. Fixed or adjustable armrests in nylon fiber, color matching with backshell, are available upon request and with a surcharge. Back and seat can be ordered in different colors of the same upholstery, with a surcharge.



### Dimensions \*



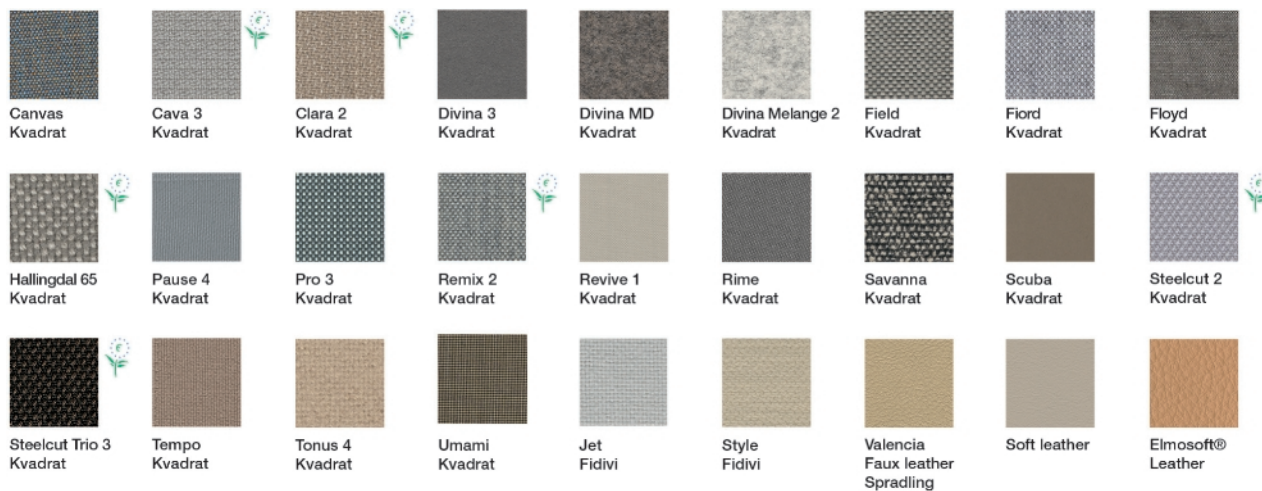
\* File CAD 2D - 3D available for download at [www.arper.com](http://www.arper.com)

### Frame Base



### Shell

#### Carded In



#### Graded In

kvadrat

camira



DESIGN  
TEX



Gabriel



svensson

maharam

Serge Ferrari

# Kinesit

Design by Lievore Altherr Molina, 2014

---



Armrest 2D




Armrest

---

## SHIPMENT DETAILS

**Art.4807**

1 pz = 1  - kg 21/ m³ 0,4

---

## TECHNICAL SPECIFICATIONS

**Art.4807**

COL requirement m² 1.58

H 140 cm. COM Meterage ml 0.72

---

## RESISTANCE TEST

---

## FIRE RETARDANT TEST

---

## ENVIRONMENTAL CERTIFICATIONS



**arper**

F +39 0422 791800

T +39 0422 7918

www.arper.com

# Kinesit

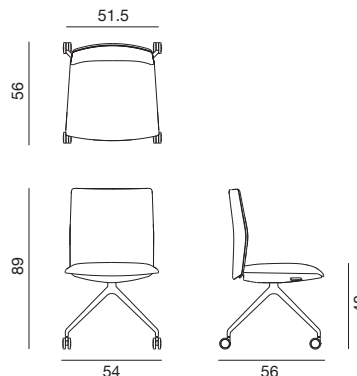
Design by Lievore Altherr Molina, 2014

## Art. 4813

Chair with aluminum fixed trestle base on self-breaking castors (color matching with base). Seat with built-in self-tensioning weight response mechanism, backrest with 3-position recline, adjustable lumbar support breathing up to 60 mm. Back and seat completely upholstered in leather, customer's leather, faux leather, fabric or customer's fabric. Fixed or adjustable armrests in nylon fiber, color matching with backshell, are available upon request and with a surcharge. Back and seat can be ordered in different colors of the same upholstery, with a surcharge.



### Dimensions \*



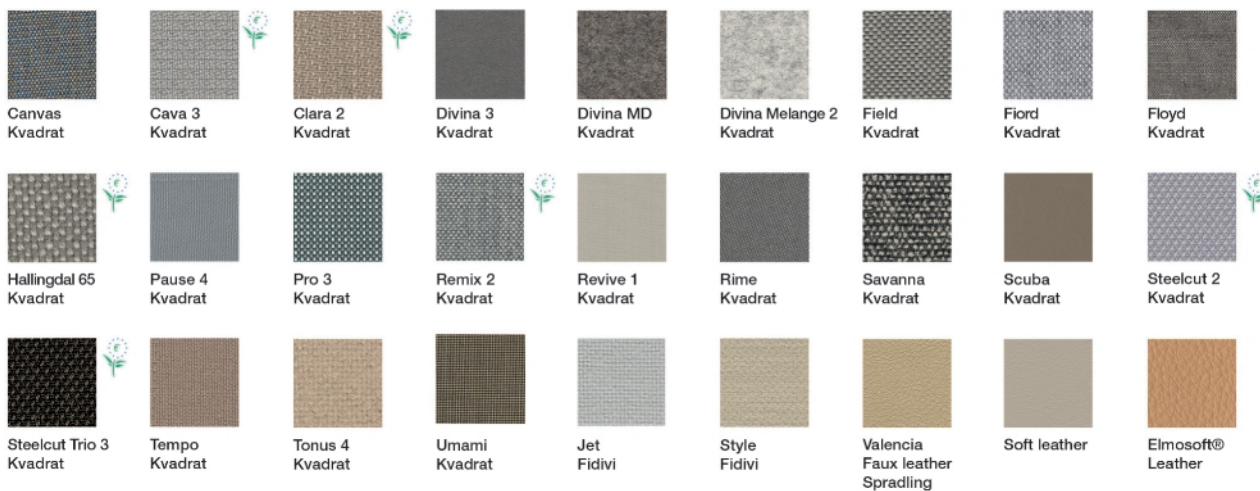
\* File CAD 2D - 3D available for download at [www.arper.com](http://www.arper.com)

### Frame Base



### Shell

#### Carded In



#### Graded In

**kvadrat**

**camira**



DESIGN  
TEX



**Gabriel**



**svensson**

**maharam**

**Serge Ferrari**

# Kinesit

Design by Lievore Altherr Molina, 2014

---



Armrest 2D



Armrest

---

## SHIPMENT DETAILS

**Art.4813**

1 pz = 1  - kg 21/ m³ 0,4

---

## TECHNICAL SPECIFICATIONS

**Art.4813**

COL requirement m² 2.38

H 140 cm. COM Meterage ml 1.38

---

## RESISTANCE TEST

---

## FIRE RETARDANT TEST

---

## ENVIRONMENTAL CERTIFICATIONS



**arper**

F +39 0422 791800

T +39 0422 7918

www.arper.com

# Kinesit

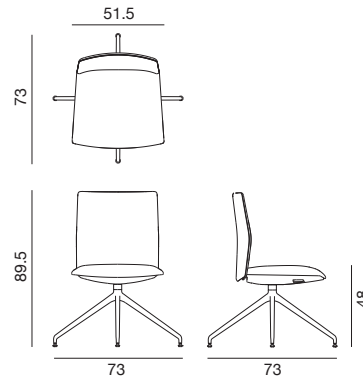
Design by Lievore Altherr Molina, 2014

## Art. 4800

Chair with aluminum swivel trestle base on glides. Seat with built-in self-tensioning weight response mechanism, backrest with 3-position recline, adjustable lumbar support breathing up to 60 mm. Low backrest with visible backshell (available in black or white), with front in nylon mesh in matching color. Seat upholstered in leather, customer's leather, faux leather, fabric or customer's fabric. Fixed or 2D adjustable armrests in nylon fiber, color matching with backshell, are available upon request and with a surcharge.

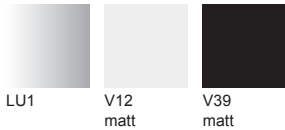


### Dimensions \*



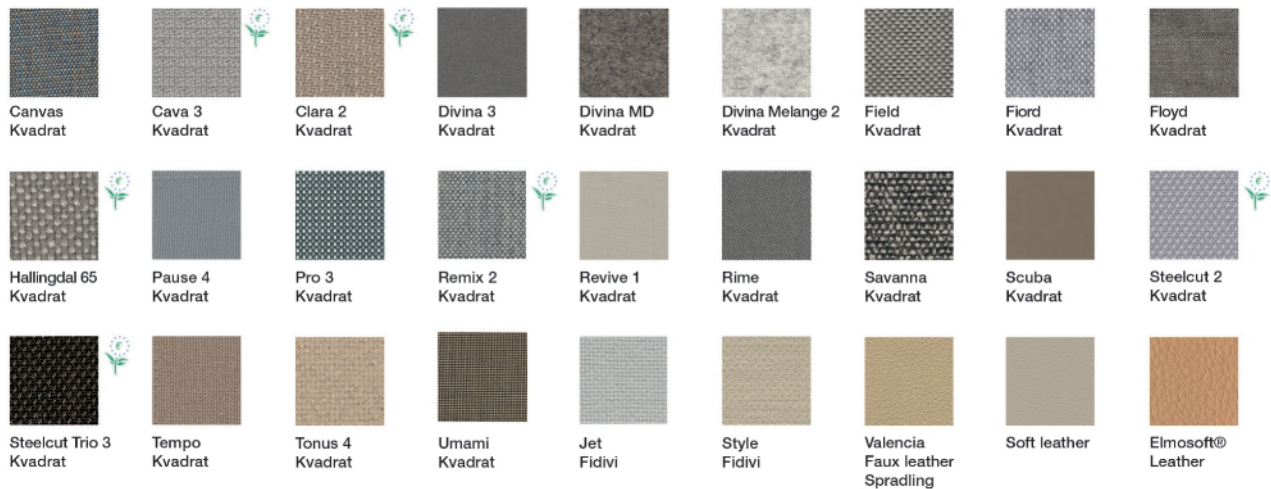
\* File CAD 2D - 3D available for download at [www.arper.com](http://www.arper.com)

### Frame Base



### Shell

#### Carded In



#### Graded In

**kvadrat**

**camira**



DESIGN  
TEX



**Gabriel**



**svensson**

**maharam**

**Serge Ferrari**

# Kinesit

Design by Lievore Altherr Molina, 2014

---

## Accessories:



Set of glides Art. 2015



Armrest 2D



Armrest

---

## SHIPMENT DETAILS

**Art.4800**

1 pz = 1  - kg 21/ m³ 0,4

---

## TECHNICAL SPECIFICATIONS

**Art.4800**

COL requirement m² 0.78

H 140 cm. COM Meterage ml 0.72

---

## RESISTANCE TEST

---

## FIRE RETARDANT TEST

---

## ENVIRONMENTAL CERTIFICATIONS



arper

F +39 0422 791800

T +39 0422 7918

www.arper.com



# Kinesit

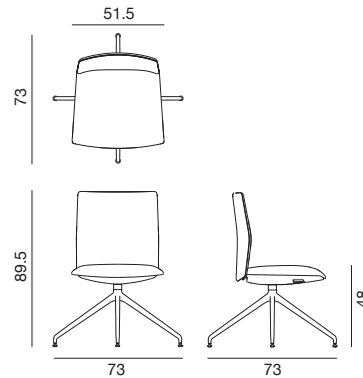
Design by Lievore Altherr Molina, 2014

## Art. 4806

Chair with aluminum swivel trestle base on glides. Seat with built-in self-tensioning weight response mechanism, backrest with 3-position recline, adjustable lumbar support breathing up to 60 mm. Low backrest with visible backshell (available in black and white) and front back and seat upholstered in leather, customer's leather, faux leather, fabric or customer's fabric. Fixed or 2D adjustable armrests in nylon fiber, color matching with backshell, color matching with backshell, are available upon request and with a surcharge. Back and seat can be ordered in different colors of the same upholstery, with a surcharge.

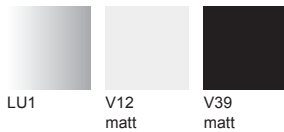


### Dimensions \*



\* File CAD 2D - 3D available for download at [www.arper.com](http://www.arper.com)

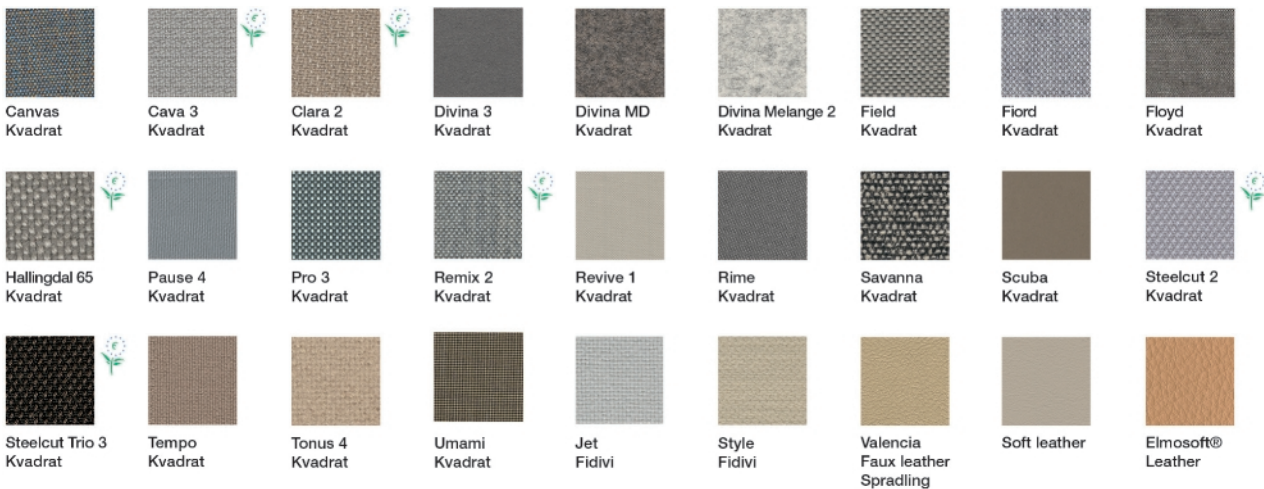
### Frame Base



arper

### Shell

#### Carded In



#### Graded In

**kvadrat**

**camira**



DESIGN  
TEX



**Gabriel**



**svensson**

**maharam**

**Serge Ferrari**

# Kinesit

Design by Lievore Altherr Molina, 2014

---

## Accessories:



Set of glides Art. 2015



Armrest 2D



Armrest

---

## SHIPMENT DETAILS

**Art.4806**

1 pz = 1  - kg 21/ m³ 0,4

---

## TECHNICAL SPECIFICATIONS

**Art.4806**

COL requirement m² 1.58

H 140 cm. COM Meterage ml 0.72

---

## RESISTANCE TEST

---

## FIRE RETARDANT TEST

---

## ENVIRONMENTAL CERTIFICATIONS



arper

F +39 0422 791800

T +39 0422 7918

www.arper.com

# Kinesit

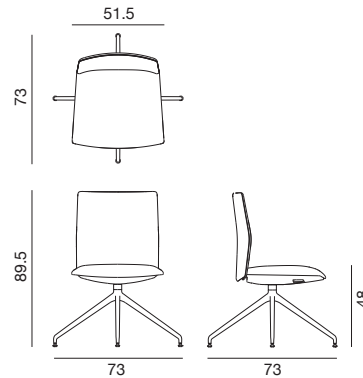
## Design by Lievore Altherr Molina, 2014

### Art. 4812

Chair with aluminum swivel trestle base on glides. Seat with built-in self-tensioning weight response mechanism, backrest with 3-position recline, adjustable lumbar support breathing up to 60 mm. Back and seat completely upholstered in leather, customer's leather, faux leather, fabric or customer's fabric. Fixed or 2D adjustable armrests in nylon fiber, color matching with backshell, are available upon request and with a surcharge. Back and seat can be ordered in different colors of the same upholstery, with a surcharge.



### Dimensions \*



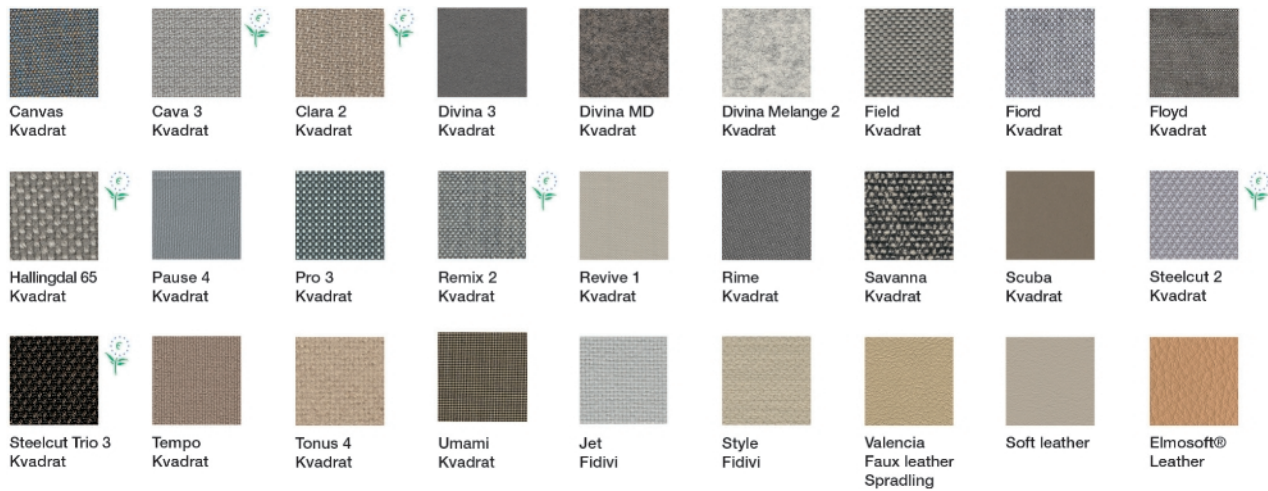
\* File CAD 2D - 3D available for download at [www.arper.com](http://www.arper.com)

### Frame Base



### Shell

#### Carded In



#### Graded In

**kvadrat**

**camira**



DESIGN  
TEX



**Gabriel**



**svensson**

**maharam**

**Serge Ferrari**

# Kinesit

Design by Lievore Altherr Molina, 2014

---

## Accessories:



Set of glides Art. 2015



Armrest 2D



Armrest

---

## SHIPMENT DETAILS

**Art.4812**

1 pz = 1  - kg 21/ m³ 0,4

---

## RESISTANCE TEST

---

## ENVIRONMENTAL CERTIFICATIONS



---

## TECHNICAL SPECIFICATIONS

**Art.4812**

COL requirement m² 2.38

H 140 cm. COM Meterage ml 1.38

---

## FIRE RETARDANT TEST

arper

F +39 0422 791800

T +39 0422 7918

www.arper.com

---

**Carded In**

Flexibility and versatility are values which we express through a broad range of customization options made available at the design stage. Each product collection can be upholstered with any of the finishes included in our catalog: an extensive choice of different solutions that can be adapted to the needs of any project. We provide samples, tests and certifications, to support our customers throughout the decision process.

**kvadrat**

Availability: Worldwide  
www.kvadrat.dk



Availability: Worldwide  
www.fidivi.com



Availability: USA  
www.ultrafabricsllc.com



Availability: Worldwide  
www.elmoleather.com



Availability: Worldwide  
www.spradling.eu

**maharam**

Availability: USA  
www.maharam.com

**Soft leather**

Availability: Worldwide

**Leather Fine**

Availability: Worldwide

**Leather Keen**

Availability: Worldwide

---

**Graded In**

The customization options become virtually limitless thanks to the collaboration of internationally renowned partners. Each product collection available in our catalog can now be upholstered with any of the selected upholsteries offered by the manufacturers who have included their fabric and leather products in our collections. Nearly 100 upholstery collections available make countless combinations possible in terms of fabrics, colors, technical specifications and prices.

**kvadrat**

Availability: Worldwide  
www.kvadrat.dk

**Gabriel**

Availability: Worldwide  
www.gabriel.dk

**svensson**

Availability: Worldwide  
www.ludvigsvensson.com

**Serge Ferrari**

Availability: Worldwide  
www.en.sergeferrari.com

**camira**

Availability: Worldwide  
www.camirafabrics.com

**maharam**

Availability: USA  
www.maharam.com



Availability: Worldwide  
www.winter-creation.com



Availability: Worldwide  
www.fidivi.com

**DESIGN  
TEX**

Availability: USA  
www.designtex.com



Availability: Worldwide  
www.spradling.eu

## Italy

Arper SPA  
Via Lombardia 16  
31050 Monastier di Treviso (TV)  
Italia  
T +39 0422 7918  
F +39 0422 791800  
info@arper.com  
www.arper.com

Commerciale Italia  
T +39 0422 791905  
F +39 0422 791900  
commerciale@arper.com

Export Office  
T +39 0422 791902 / 4 / 6 / 7 / 8 / 9 / 16 / 17 / 27  
F +39 0422 791900  
sales@arper.com

## Subsidiaries and Branches

### USA

Arper USA Inc.  
476 Broadway, Suite 2F  
NY 10013 New York  
USA  
T +1 (212) 647 8900  
infousa@arper.com

### UK

Arper UK LTD  
London — UK  
11 Clerkenwell Road  
London EC1M 5PA  
T +44 (0) 20 7253 0009  
london@arper.com

### Japan

Arper Japan K.K.  
HT Jingu Gaien Bldg.8F  
Minato-ku Kita-Aoyama 2-7-22  
Tokyo 107-0061  
Japan  
T +81 (0)3 5775 0008  
F +81 (0)3 5775 0009  
carejpn@arper.com

### UAE

Arper Middle East  
U-Bora Towers - Unit 1901  
Business Bay  
Dubai  
United Arab Emirates  
T +971 509144800  
infome@arper.com

### Sweden

Stockholm — Sweden  
Banérgatan 10  
Stockholm  
T +46 733 101112  
sweden@arper.com

## Showrooms

Amsterdam — The Netherlands  
Design Post  
Cruquiusweg 111-T  
1019 AG Amsterdam  
T +31 (0)20 7051555  
showroom@beltane.nl

Chicago — USA  
The Merchandise Mart  
Space#339 - 3rd Floor  
Chicago  
USA  
T +1 (212) 647 8900 x1  
infousa@arper.com

Cologne — Germany  
Design Post Köln  
Deutz-Mülheimer-Str. 22a  
50679 Cologne  
T +49 221 690 650  
info@designpost.de

Dubai — UAE  
U-Bora Towers - Unit 1901  
Business Bay  
Dubai  
T +971 509144800  
infome@arper.com

London — UK  
11 Clerkenwell Road  
London EC1M 5PA  
T +44 (0) 20 7253 0009  
london@arper.com

Milan — Italy  
Via Pantano 30  
20122 Milan  
T +39 02 89093865  
milano@arper.com

Monastier — Italy  
Via Lombardia 16  
31050 Monastier di Treviso (TV)  
Italia  
T +39 0422 7918  
F +39 0422 791800  
info@arper.com

New York — USA  
476 Broadway, Suite 2F  
NY 10013 New York  
T +1 (212) 647 8900  
infousa@arper.com

Oslo — Norway  
Drammensveien 130  
0277 Oslo  
T +47 930 59 226  
cj@nextlevel-design.com

Stockholm — Sweden  
Banérgatan 10  
Stockholm  
T +46 733 101112  
sweden@arper.com

Tokyo — Japan  
HT Jingu Gaien Bldg.8F  
Minato-ku Kita-Aoyama 2-7-22  
Tokyo 107-0061  
T +81 (0)3 5775 0008  
carejpn@arper.com

## Meeting Hubs

### Belgium

Sint-Jorisstraat 82,  
8730 Beernem  
Belgium  
T + 32 50 705960  
belgium@arper.com

### Germany

Fruchthof München  
2. Innenhof, 2. Etage  
Gotzinger Straße 52b  
D-81371 München  
Germany  
T +49 172 89914 4  
info@essenko.de