

Colina L

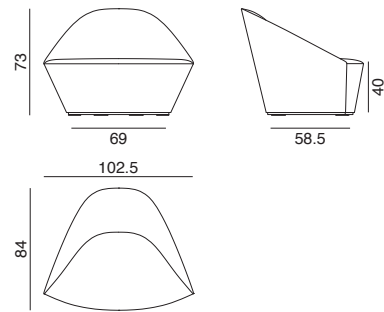
Design by Lievore Altherr Molina, 2014

Art. 4302

Armchair with plywood frame fully upholstered in fabric, leather, faux leather or customer's own material. The version with removable cover is available upon request. Optional glides with felt for wooden floors are available upon request.



Dimensions *



* File CAD 2D - 3D available for download at www.arper.com

arper

info@arper.com


www.arper.com

Colina L

Design by Lievore Altherr Molina, 2014

SHIPMENT DETAILS

Art.4302

1 pz = 1  - kg 43,96/ m³ 0,84

TECHNICAL SPECIFICATIONS

Art.4302

COL requirement m² 6.12

H 140 cm. COM Meterage ml 3.91

RESISTANCE TEST

- EN 1728:2012 - EN 16139:2013 6.10
- EN 1728:2012 - EN 16139:2013 6.17
- EN 1728:2012 - EN 16139:2013 6.20
- EN 1728:2012 - EN 16139:2013 6.25
- EN 1728:2012 - EN 16139:2013 6. 4
- EN 1022:05
- EN 1728:2012 - EN 16139:2013 6.11
- EN 1728:2012 - EN 16139:2013 6.18
- EN 1728:2012 - EN 16139:2013 6.24
- EN 1728:2012 - EN 16139:2013 6.26
- EN 1728:2012 - EN 16139:2013 6. 5

FIRE RETARDANT TEST

Classe 1M Canvas Divina MD Divina Melange 2 Divina 3 Faux leather Valencia

ENVIRONMENTAL CERTIFICATIONS



arper

www.arper.com
info@arper.com